



DEPARTMENT OF REGULATORY AND ECONOMIC RESOURCES (RER)
 BOARD AND CODE ADMINISTRATION DIVISION
NOTICE OF ACCEPTANCE (NOA)

MIAMI-DADE COUNTY
 PRODUCT CONTROL SECTION
 11805 SW 26 Street, Room 208
 Miami, Florida 33175-2474
 T (786) 315-2590 F (786) 315-2599
www.miamidade.gov/economy

Resysta North America, Inc.
 14756 Central Ave.
 Chino, CA 91710

SCOPE: This NOA is being issued under the applicable rules and regulations governing the use of construction materials. The documentation submitted has been reviewed and accepted by Miami-Dade County RER-Product Control Section to be used in Miami Dade County and other areas where allowed by the Authority Having Jurisdiction (AHJ).

This NOA shall not be valid after the expiration date stated below. The Miami-Dade County Product Control Section (In Miami Dade County) and/or the AHJ (in areas other than Miami Dade County) reserve the right to have this product or material tested for quality assurance purposes. If this product or material fails to perform in the accepted manner, the manufacturer will incur the expense of such testing and the AHJ may immediately revoke, modify, or suspend the use of such product or material within their jurisdiction. RER reserves the right to revoke this acceptance, if it is determined by Miami-Dade County Product Control Section that this product or material fails to meet the requirements of the applicable building code.

This product is approved as described herein, and has been designed to comply with the Florida Building Code, including the High Velocity Hurricane Zone.

DESCRIPTION: Resysta Platinum & Gold Composite Hollow Decking Profiles

APPROVAL DOCUMENT: Drawing No. 17-284, titled "Resysta Platinum & Gold Hollow Decking Profiles", sheets 1 through 6 of 6, dated 11/06/2017, prepared by Tilteco, Inc., signed and sealed by Walter A. Tillit, Jr., P.E., bearing the Miami-Dade County Product Control revision stamp with the Notice of Acceptance number and expiration date by the Miami-Dade County Product Control Section.

MISSILE IMPACT RATING: None

LABELING: Each unit shall bear a permanent label with the manufacturer's name or logo, city, state, model/series, and following statement: "Miami-Dade County Product Control Approved", unless otherwise noted herein.

RENEWAL of this NOA shall be considered after a renewal application has been filed and there has been no change in the applicable building code negatively affecting the performance of this product.

TERMINATION of this NOA will occur after the expiration date or if there has been a revision or change in the materials, use, and/or manufacture of the product or process. Misuse of this NOA as an endorsement of any product, for sales, advertising or any other purposes shall automatically terminate this NOA. Failure to comply with any section of this NOA shall be cause for termination and removal of NOA.

ADVERTISEMENT: The NOA number preceded by the words Miami-Dade County, Florida, and followed by the expiration date may be displayed in advertising literature. If any portion of the NOA is displayed, then it shall be done in its entirety.

INSPECTION: A copy of this entire NOA shall be provided to the user by the manufacturer or its distributors and shall be available for inspection at the job site at the request of the Building Official.

This NOA revises NOA #15-0211.06 and consists of this page 1 and evidence pages E-1 and E-2, as well as approval document mentioned above.

The submitted documentation was reviewed by **Carlos M. Utrera, P.E.**



Handwritten signature and date: 01/23/2018

NOA No. 17-1114.16
 Expiration Date: July 2, 2020
 Approval Date: February 1, 2017
 Page 1

NOTICE OF ACCEPTANCE: EVIDENCE SUBMITTED

1. Evidence submitted under NOA #15-0211.06

A. DRAWINGS

1. Drawing No. **14-032**, titled "Resysta Platinum & Gold Hollow Decking Profiles", sheets 1 through 6 of 6, dated 04/09/2014, with revision 1 dated 04/22/2015, prepared by Tilteco, Inc., signed and sealed by Walter A. Tillit, Jr., P.E.

B. TESTS

1. Test reports on 1) Uniform Static Air Pressure Test, Loading per FBC TAS 202-94
2) Cyclic Wind Pressure Loading per FBC, TAS 203-94
along with marked-up drawings of Resysta Decking Planks Platinum Profiles, prepared by Blackwater Testing, Inc., Test Report No. **BT-RNA-14-001**, dated 07/14/2014, signed and sealed by Yamil G. Kuri, P.E.
2. Test reports on Accelerated Weathering (Xenon Arc Light) per ASTM G155-05a and Tensile Strength per ASTM D638-10, prepared by Blackwater Testing, Inc., Test Report No. **BT-RNA-14-001D**, dated 01/27/2015, signed and sealed by Yamil G. Kuri, P.E.

C. CALCULATIONS

1. Anchor verification calculations prepared by Tilteco, Inc., dated 05/23/2014 and 04/22/2015, signed and sealed by Walter A. Tillit, Jr., P.E.

D. QUALITY ASSURANCE

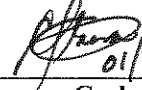
1. Miami-Dade Department of Regulatory and Economic Resources (RER)

E. MATERIAL CERTIFICATIONS

1. Test report on Ignition Temperature of Plastics per ASTM D1929-13a and Rate of Burning per ASTM D635-10 Wood-Polymer Composite Material, prepared by Hurricane Engineering & Testing, Inc., Test Report No. **HETI-15-F303**, dated 01/23/2015, signed and sealed by Rafael E. Droz Seda, P.E.
2. Test report on Surface Burning Characteristics (Flame Spread and Smoke Developed) per ASTM E84-09 of Resysta Decking, prepared by QAI Laboratories, Test Report No. **RJ1192-1**, dated 02/14/2011, signed by Greg Banasky.
3. Test report on Static Coefficient of Friction of Polish Coated Flooring Surfaces per ASTM D2047-04 of Resysta Decking, prepared by QAI Laboratories, Test Report No. **TJ0239-1** through **3**, dated 11/17/2011, signed by Scott Parkhurst.
4. Test report on Resistance Against Wood-Destroying Basidiomycetes per DINV ENV 12038 of Resysta Decking Boards, prepared by EPH GmbH, Test Report No. **220022**, dated 04/27/2011, signed by Dr. W. Scheiding.

F. STATEMENTS

1. Statement letter of code conformance to 2010 FBC issued by Tilteco, Inc., dated 12/22/2014, signed and sealed by Walter A. Tillit, Jr., P.E.
2. Statement letter of no financial interest issued by Tilteco, Inc., dated 05/27/2014, signed and sealed by Walter A. Tillit, Jr., P.E.
3. Distributor agreement dated 05/06/2015.


01/23/2018

Carlos M. Utrera, P.E.
Product Control Examiner
NOA No. 17-1114.16
Expiration Date: July 2, 2020
Approval Date: February 1, 2017

NOTICE OF ACCEPTANCE: EVIDENCE SUBMITTED

2. New evidence submitted

A. DRAWINGS

1. Drawing No. **17-284**, titled "Resysta Platinum & Gold Hollow Decking Profiles", sheets 1 through 6 of 6, dated 11/06/2017, prepared by Tilteco, Inc., signed and sealed by Walter A. Tillit, Jr., P.E.

B. TESTS

1. None.

C. CALCULATIONS

1. None.

D. QUALITY ASSURANCE

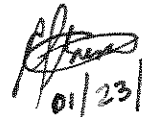
1. Miami-Dade Department of Regulatory and Economic Resources (RER)

E. MATERIAL CERTIFICATIONS

1. None.

F. STATEMENTS

1. Statement letter of code conformance to the 6th edition (2017) FBC issued by Tilteco, Inc., dated 11/07/2017, signed and sealed by Walter A. Tillit, Jr., P.E.


01/23/2018

Carlos M. Utrera, P.E.
Product Control Examiner
NOA No. 17-1114.16
Expiration Date: July 2, 2020
Approval Date: February 1, 2017

GENERAL NOTES

- THIS PRODUCT APPROVAL DOCUMENT (P.A.D.) FOR HOLLOW DECKING PROFILES, INDICATED AND SPECIFIED ON THIS DRAWING, HAS BEEN VERIFIED FOR COMPLIANCE IN ACCORDANCE WITH THE 2017 (6th EDITION) OF THE FLORIDA BUILDING CODE. DESIGN WIND LOADS SHALL BE DETERMINED AS PER SECTION 1620 OF THE ABOVE MENTIONED CODE, USING ASCE 7-10 STANDARD AND SHALL NOT EXCEED THE MAXIMUM (A.S.D.) DESIGN PRESSURE RATING INDICATED ON THIS SHEET.

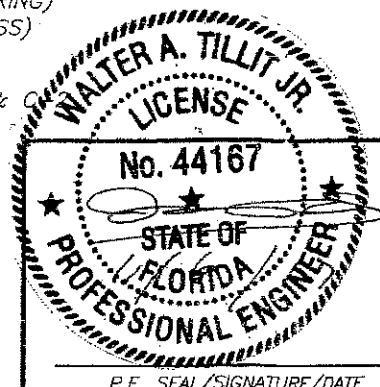
IN ORDER TO VERIFY THE ABOVE CONDITION, ULTIMATE DESIGN WIND LOADS DETERMINED PER ASCE 7-10 SHALL BE FIRST REDUCED TO A.S.D. DESIGN WIND LOADS BY MULTIPLYING THEM BY 0.6 IN ORDER TO COMPARE THESE W/ MAX. (A.S.D.) DESIGN PRESSURE RATINGS INDICATED ON THIS SHEET.

IN ORDER TO VERIFY THAT COMPONENTS AND ANCHORS ON THIS P.A.D. AS TESTED WERE NOT OVER STRESSED, A 33% INCREASE IN ALLOWABLE STRESS FOR WIND LOADS WAS NOT USED IN THEIR ANALYSIS. A DURATION FACTOR CD=1.60 WAS USED FOR VERIFICATION OF FASTENERS IN WOOD. HOLLOW DECKING PROFILES' ADEQUACY FOR WIND AND FATIGUE RESISTANCE HAS BEEN VERIFIED IN ACCORDANCE WITH SECTION 1626 OF THE ABOVE MENTIONED CODE AS PER BLACKWATER TESTING INC. REPORT #BT-RNA-14-001 PER TAS 202 & 203 PROTOCOLS, AND AS PER SUBMITTED STRUCTURAL CALCULATIONS, PERFORMED AS PER SECTION 1616 OF THE FLORIDA BUILDING CODE.
- BUILDING FLOOR SYSTEM WHERE DECKING PROFILES WILL BE INSTALLED SHALL BE DESIGNED BY A FLORIDA REGISTERED PROFESSIONAL ENGINEER OR ARCHITECT AND SHALL BE BUILT IN ACCORDANCE WITH THE FLORIDA BUILDING CODE, FOR IMPACT, WIND & WATER RESISTANCE.
- MAXIMUM A.S.D. DESIGN WIND PRESSURE RATING FOR THIS PRODUCT IS +150 , -150 p.s.f. ***
* PROFILES TO BE CONTINUOUS MIN. OVER 3 SPANS.
- COMPONENTS FOR THIS PRODUCT SHALL BE AS INDICATED ON SHEET 2 OF THIS DRAWING, AND AS ON THIS SHEET.
- WOOD FURRING PROVIDING SUPPORT TO HOLLOW DECKING PROFILES MUST BE PROPERLY ANCHORED TO TRANSFER LOADS TO THE EXISTING STRUCTURAL FLOOR SYSTEM. FURRING MUST HAVE A SPECIFIC GRAVITY (G) OF 0.55 MINIMUM, AND SHALL CONSIST OF TREATED 2"x4" (MIN) SPACED AT 16" ON CENTER (MAX). SEE DETAILS ON SHEETS 3 THRU 6.
- DECKING PROFILES ARE MADE OF AN HOMOGENOUS EXTRUDED POLYMER WITH RICE HUSKS (60% RICE HUSKS + 22% COMMON SALT + 18% MINERAL OIL) WITH A MINIMUM WEIGHT OF 2520-3080 gr/m (PLATINUM) AND 2420-2500 gr/m (GOLD). SANDED AT TOP AND BOTTOM, WITH NO LOOSE FLAKES, NO AIR BUBBLES, NO BLACK DOTS >2mm, NO PORES/HOLES >1mm, AND WITH AN APPLIED PROTECTIVE COVER CONSISTING OF 2K SURFACE SEALING RESYSTA* SEALER RFS, AND MUST BE CURED FOR 14 DAYS. THIS PRODUCT DOES NOT CONTAIN ANY WOOD. SEE NOTE 7 FOR ADDITIONAL SPECS.
- ADDITIONAL TESTING PERFORMED ON PLATINUM/GOLD DECKING PROFILES:

PHYSICAL PROPERTIES	TEST METHOD	TEST RESULT
DENSITY	ASTM D 2395	1.46 gr/cm ³ (91.1lb/Ft ³)
BENDING STRENGTH	ISO 178	6600 psi
BENDING MODULUS	ISO 178	550,000 psi
TENSILE STRENGTH	ISO 527	3157 psi
TENSILE MODULUS	ISO 527	330,000 psi
SHEAR STRENGTH	EN 392	2400 psi
COEFFICIENT OF LINEAR THERMAL EXPANSION	ASTM D 696	3.6x10 ⁻⁵ m/mc
WATER ABSORPTION AND HUMIDITY	ASTM D 1037	LITTLE UP TO NO WATER ABSORPTION (ONLY SURFACE MOISTURING) CLASS C(HIGHEST CLASS)
SLIPPERY TEST	DIN 51097	INDEX 25
FLAME SPREAD INDEX*	ASTM E 84	810° F
IGNITION TEMPERATURE OF PLASTIC**	ASTM D 1929	PASSED CLASS C-1 & 2
RATE OF BURNING AND EXTENT AND TIME OF BURNING**	ASTM D 635	

* PER OIA LAB REPORT # RJ-11921
** PER HETI LAB REPORT # HETI-15-F303

PRODUCT REVISED
as complying with the Florida Building Code
NOA-No. **17-1114.16**
Expiration Date **07/02/2020**
By *[Signature]*
Miami-Dade Product Control



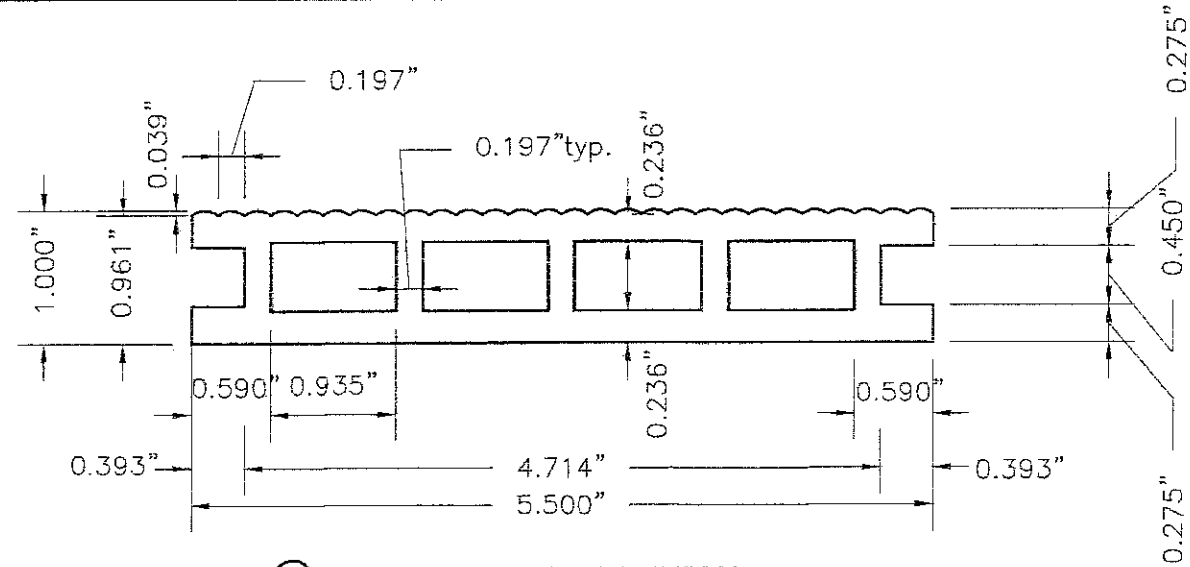
SMOKE DENSITY INDEX*	ASTM E 84	INDEX=450
DURABILITY AGAINST SUBTERRANEAN TERMITES	ASTM D 3345	HIGH DURABILITY, NEARLY NO WEIGHT LOSS
SOLAR REFLECTANCE	ASTM C 1549	29 (MEDIUM WIND)
DURABILITY AGAINST WOOD-DESTROYING BASIDIOMYCETES***	DIN V ENV 12038	PASSED (NO ATTACK)
STATIC COEFFICIENT OF FRICTION	ASTM D 2047	LEATHER(DRYCONDITION): 0.69
POLISH COATED FLOORING SURFACES****		RUBBER(DRYCONDITION): 1.08
		NEOLITE(DRYCONDITION): 0.85 (4500 HRS.)
WEATHERING TEST FOR OUT DOOR EXPOSURE OF PLASTICS	ASTM G 155	
TENSILE TEST AFTER ASTM G 155 (FINAL RESULT AT 4500 HOURS)	ASTM 638	5.40%
REPORT #BT-RNA-14-001D		
*** EP4 LAB REPORT # 220022		
**** QAI LAB REPORT # TJ0239-1 THRU 6		

- THIS PRODUCT'S INSTALLATION SHALL COMPLY WITH ALL SPECS INDICATED IN THIS DRAWING PLUS ANY BUILDING AND ZONING REGULATIONS PROVIDED BY THE JURISDICTION WHERE PERMIT IS APPLIED TO.
- (a) THIS P.A.D. PREPARED BY THIS ENGINEER IS GENERIC AND DOES NOT PROVIDE INFORMATION FOR A SITE SPECIFIC PROJECT; i.e. WHERE THE SITE CONDITIONS DEVIATE FROM THE P.A.D.
(b) CONTRACTOR TO BE RESPONSIBLE FOR THE SELECTION, PURCHASE AND INSTALLATION INCLUDING LIFE SAFETY OF THIS PRODUCT BASED ON THIS P.A.D. PROVIDED HE/SHE DOES NOT DEVIATE FROM THE CONDITIONS DETAILED ON THIS DOCUMENT. CONSTRUCTION SAFETY AT SITE IS THE CONTRACTOR'S RESPONSIBILITY.
(c) THIS P.A.D. WILL BE CONSIDERED INVALID IF MODIFIED.
(d) SITE SPECIFIC PROJECTS SHALL BE PREPARED BY A FLORIDA REGISTERED ENGINEER OR ARCHITECT WHICH WILL BECOME THE PROFESSIONAL OF RECORD (P.O.R.) FOR THE PROJECT AND WHO WILL BE RESPONSIBLE FOR THE PROPER USE OF THE P.A.D. PROFESSIONAL OF RECORD, ACTING AS A DELEGATED ENGINEER TO THE P.A.D. ENGINEER SHALL SUBMIT TO THIS LATTER THE SITE SPECIFIC DRAWINGS FOR REVIEW.
(e) ORIGINAL P.A.D. SHALL BEAR THE DATE AND ORIGINAL SEAL AND SIGNATURE OF THE PROFESSIONAL ENGINEER THAT PREPARED IT.
- A PERMANENT DECKING PROFILE MANUFACTURER'S LABEL SHALL BE PLACED ON THE EXPOSED SURFACE OF THE PROFILE. LABEL SHALL READ AS FOLLOWS:
RESYSTA PLATINUM/GOLD DECKING
RESYSTA NORTH AMERICA INC.
CHINO, CALIFORNIA.
MIAMI-DADE COUNTY PRODUCT CONTROL APPROVED.

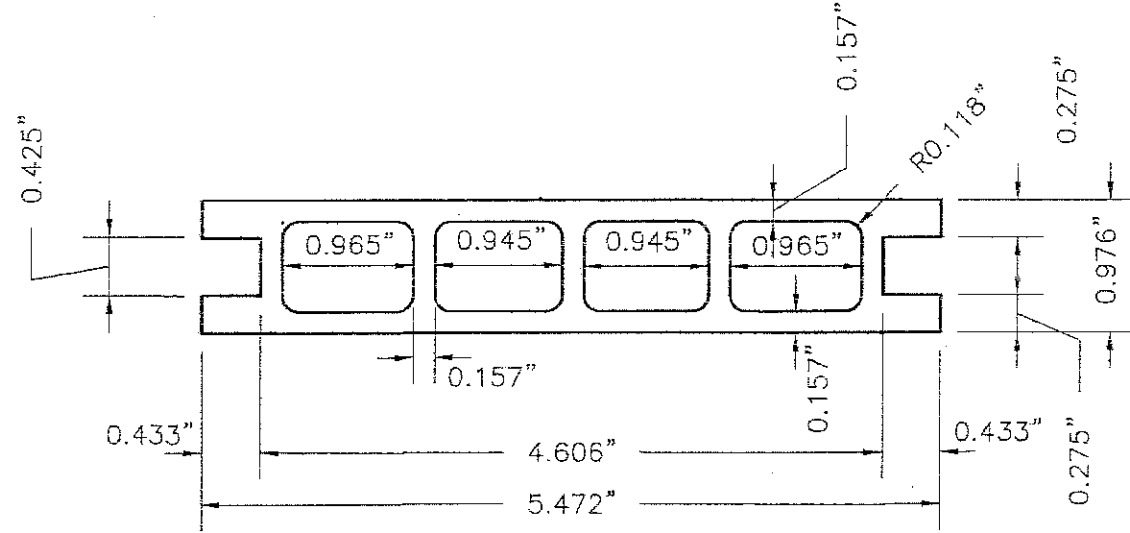
THIS DRAWING SHALL ONLY BE USED TO OBTAIN PERMITS IN THE STATE OF FLORIDA

FLORIDA BUILDING CODE (High Velocity Hurricane Zone)

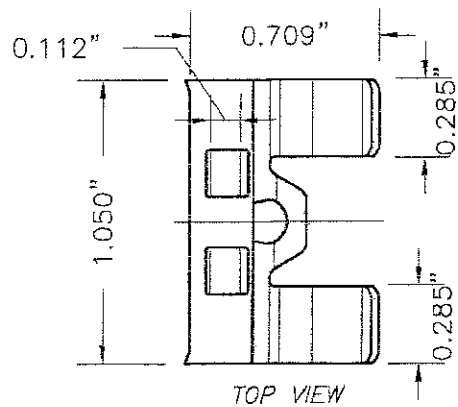
© 2017 TILTECO INC.		RESYSTA PLATINUM & GOLD HOLLOW DECKING PROFILES		DRAWN BY M.L.	
 TILTECO INC. TILLIT TESTING & ENGINEERING COMPANY 6355 N.W. 36th St., Ste. 305, VIRGINIA GARDENS, FL 33166 Phone : (305)871-1530 . Fax : (305)871-1531 e-mail: tilteco@aol.com EB-0006719 WALTER A. TILLIT Jr. P.E. FLORIDA Lic. # 44167		RESYSTA NORTH AMERICA INC. 14756 CENTRAL AVENUE, CHINO, CA. 91710 PHONE: (909) 393-2800 FAX: (909) 393-2831		11/06/17 DATE	
				17-284 DRAWING No	
REV. No	DESCRIPTION	DATE	REV. No	DESCRIPTION	DATE
1	OLD 14-032	11/6/17			
2					
					SHEET 1 OF 6



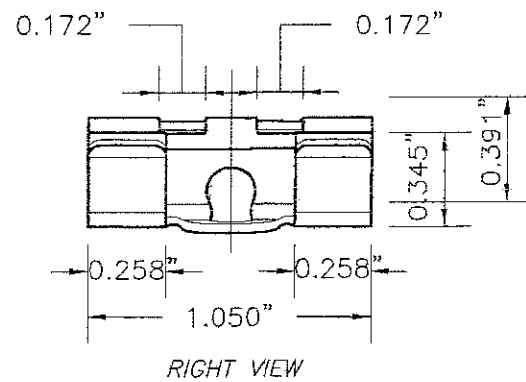
① **PLATINUM FLOOR DECK** (SCALE: 3/4" = 1")
EXTRUDED HOMOGENOUS POLYMER WITH RICE HUSKS



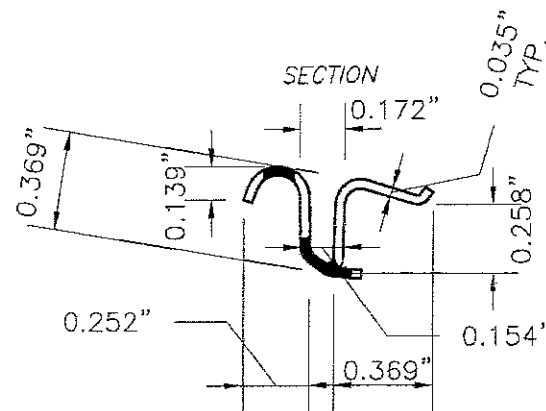
② **OPTIONAL GOLD FLOOR DECK** (SCALE: 3/4" = 1")
EXTRUDED HOMOGENOUS POLYMER WITH RICE HUSKS



TOP VIEW




RIGHT VIEW

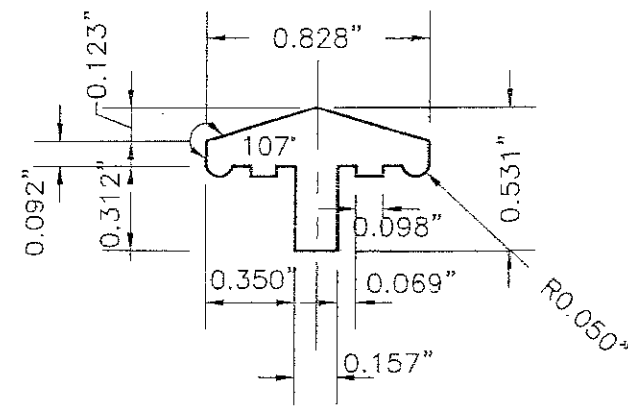
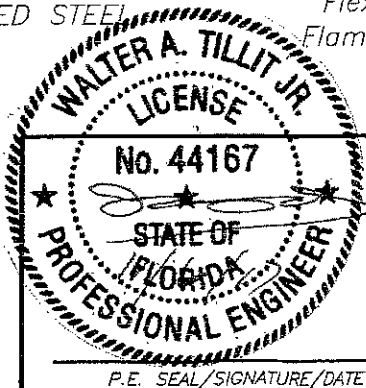


COMPONENTS

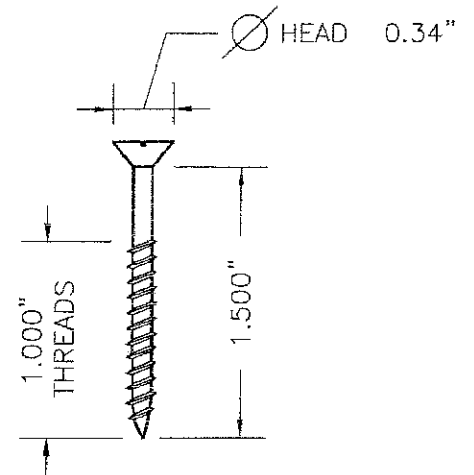
③ **STEEL CLIP** (SCALE: 1.5" = 1")
ZINC CHROMATE BLACK MAGNI 599
DIP SPIN, COLD ROLLED STEEL

$F_{tu} = 100.0$ Ksi
 $F_{ty} = 84.1$ Ksi

PRODUCT REVISED
as complying with the Florida
Building Code
NOA-No. **17-1114.16**
Expiration Date **07/02/2020**
By 
Miami-Dade Product Control




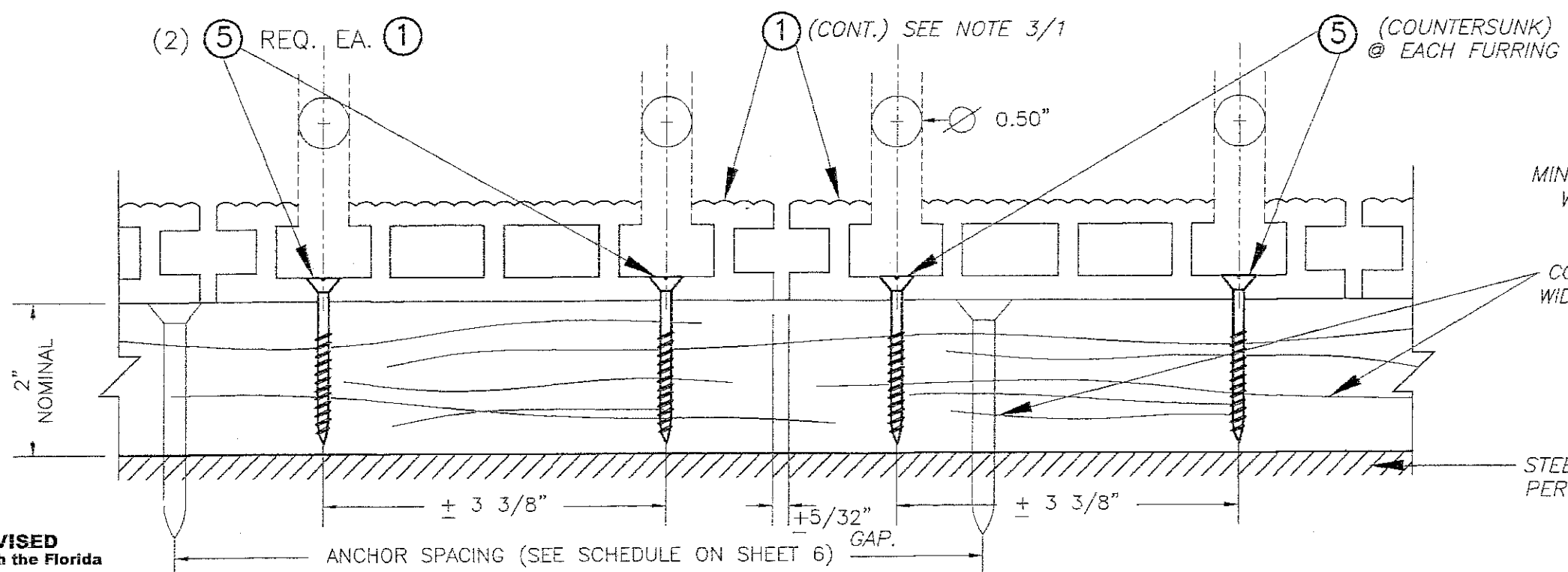
④ **NYLON CLIP** (SCALE: 1.5" = 1")
1.1875" Long
 $F_{tu} = 24.22$ Ksi
Flexural Modulus: 1.377 Ksi
Flexural Strength: 37.56 Ksi
Flame Resistance (UL-94): HB



⑤ **FACE MOUNT SCREW** (SCALE: 1" = 1")
#8 X 1 1/2" F.H. STAINLESS STEEL

FLORIDA BUILDING CODE (High Velocity Hurricane Zone)

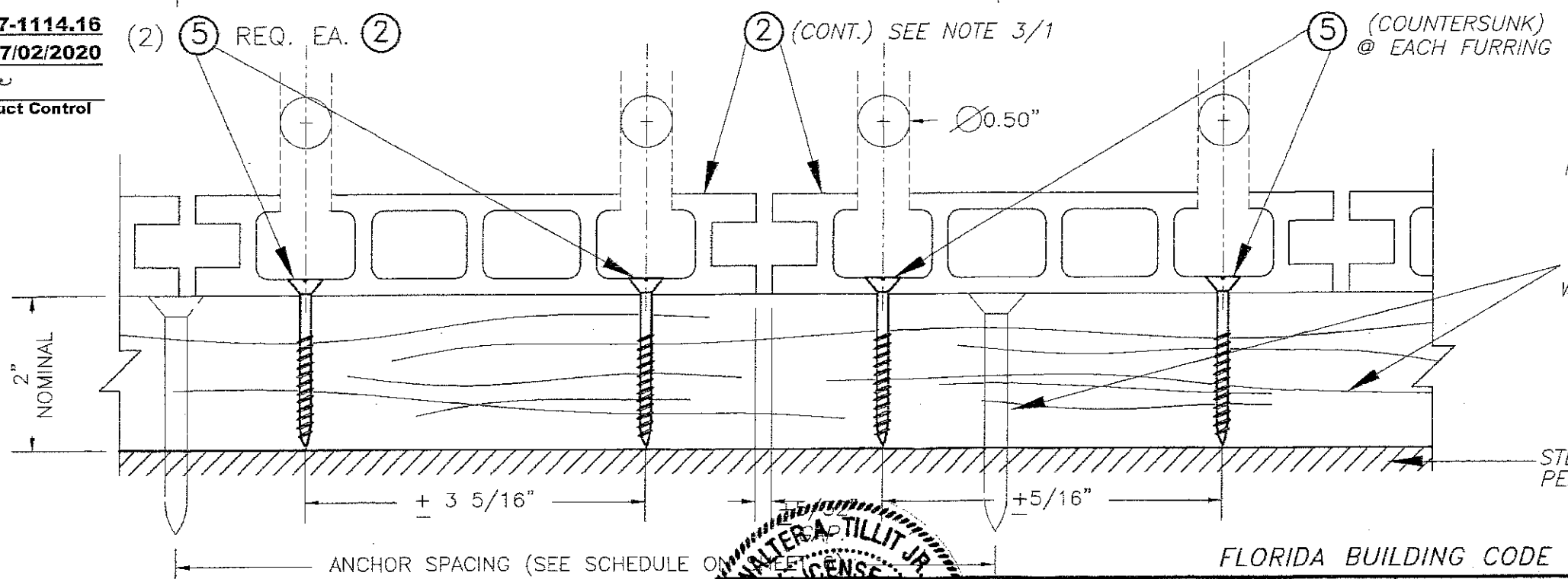
© 2017 TILTECO INC.		RESYSTA PLATINUM & GOLD HOLLOW DECKING PROFILES		DRAWN BY M.L.	
 TILTECO INC. TILLIT TESTING & ENGINEERING COMPANY 6355 N.W. 36th St., Ste. 305, VIRGINIA GARDENS, FL 33166 Phone : (305)871-1530 Fax : (305)871-1531 e-mail: tiltco@aol.com EB-0006719 WALTER A. TILLIT Jr. P.E. FLORIDA Lic. # 44167		RESYSTA NORTH AMERICA INC. 14756 CENTRAL AVENUE, CHINO, CA. 91710 PHONE: (909) 393-2800 FAX: (909) 393-2831		11/06/17 DATE	
				17-284 DRAWING No	
REV. No	DESCRIPTION	DATE	REV. No	DESCRIPTION	DATE
1	OLD 14-032	11/6/17			
2					
					SHEET 2 OF 6



MIN. 2"x4" (G= 0.55) TREATED WOOD FURRING AT 16"OC. (SEE NOTE 5/1)
 W/ 1/4"Ø ULTRACON BY ELCO CONSTRUCTION PRODUCTS, AT MID WIDTH OF FURRING (SEE SCHEDULE FOR SPACING ON SHEET 6)

EXISTING CONCRETE, STEEL OR WOOD FLOOR, BUILT PER FLORIDA BUILDING CODE. (SEE NOTE 2/1)

PRODUCT REVISED
 as complying with the Florida Building Code
 NOA-No. 17-1114.16
 Expiration Date 07/02/2020
 By [Signature]
 Miami-Dade Product Control

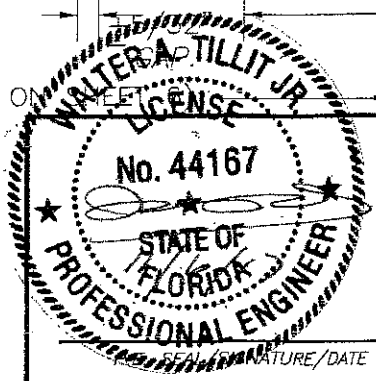


MIN. 2"x4" (G= 0.55) TREATED WOOD FURRING AT 16"OC. (SEE NOTE 5/1)
 W/ 1/4"Ø ULTRACON BY ELCO CONSTRUCTION PRODUCTS, AT MID WIDTH OF FURRING (SEE SCHEDULE FOR SPACING ON SHEET 6)

EXISTING CONCRETE, STEEL OR WOOD FLOOR, BUILT PER FLORIDA BUILDING CODE. (SEE NOTE 2/1)

FLORIDA BUILDING CODE (High Velocity Hurricane Zone)

CASE I: (1), (2) CONNECTION TO MIN. 2"x4" TREATED FURRING WITH FACE MOUNT SCREWS (5)
 (SCALE: 3/4" = 1")

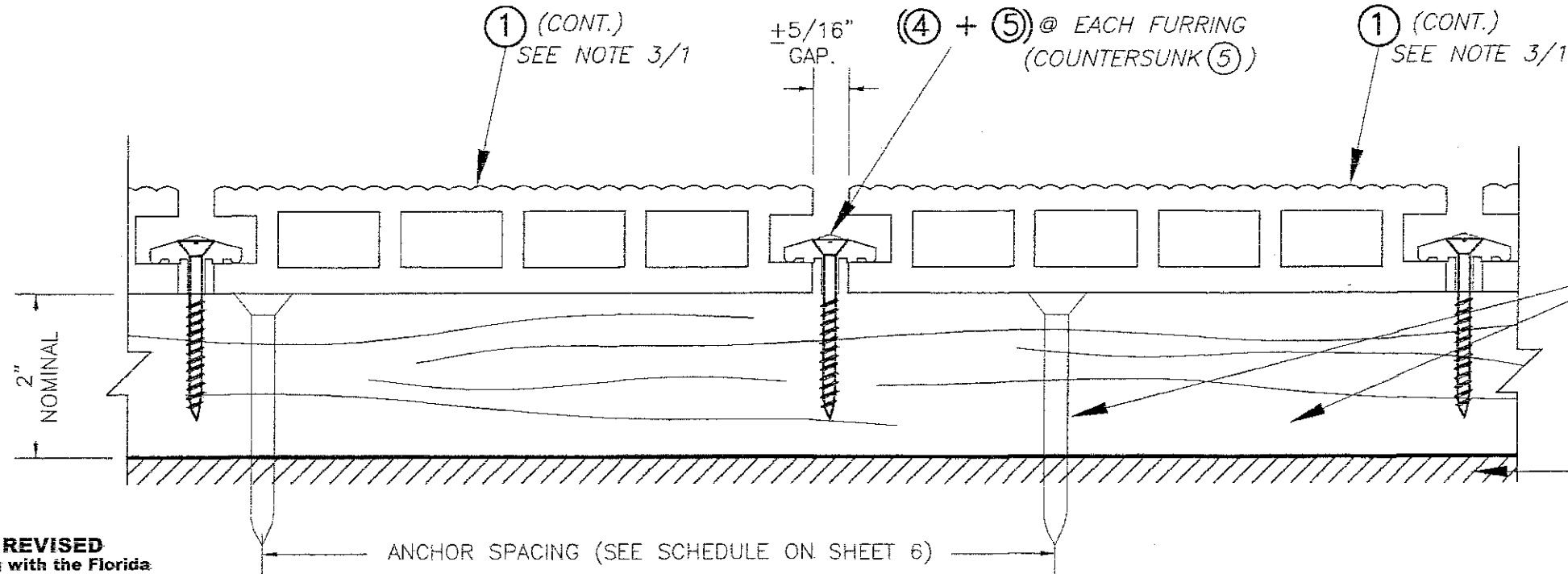


© 2017 TILTECO INC.

TILTECO INC.

TILLIT TESTING & ENGINEERING COMPANY
 6355 N.W. 36th St., Ste. 305, VIRGINIA GARDENS, FL 33166
 Phone: (305)871-1530 Fax: (305)871-1531
 e-mail: tilteco@aol.com
 EB-0006719
 WALTER A. TILLIT JR. P.E.
 FLORIDA Lic. # 44167

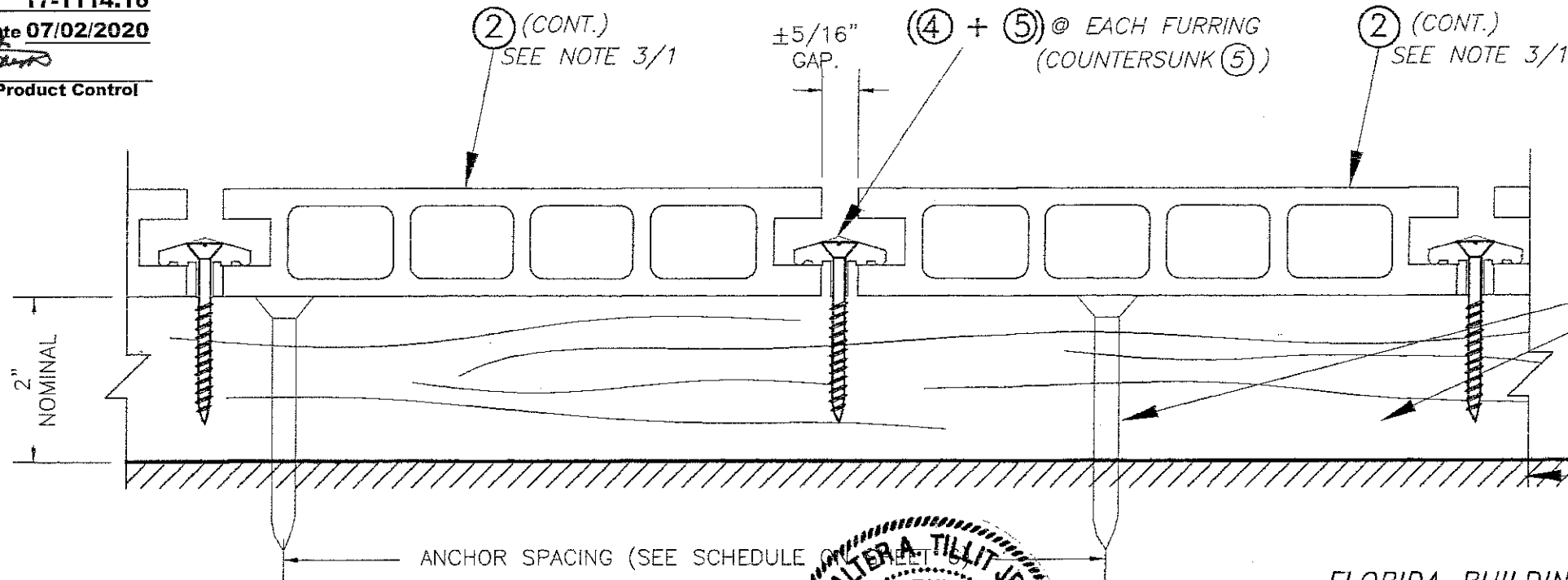
RESYSTA PLATINUM & GOLD HOLLOW DECKING PROFILES		DRAWN BY M.L.			
RESYSTA NORTH AMERICA INC.		11/06/17 DATE			
14756 CENTRAL AVENUE, CHINO, CA 91710		17-284 DRAWING No			
PHONE: (909) 393-2800 FAX: (909) 393-2831		SHEET 3 OF 6			
REV. No	DESCRIPTION	DATE	REV. No	DESCRIPTION	DATE
1	OLD 14-032	11/6/17			
2					



MIN. 2"x4" (G= 0.55) TREATED WOOD FURRING AT 16"OC. (SEE NOTE 5/1)
 W/ 1/4"Ø ULTRACON BY ELCO CONSTRUCTION PRODUCTS, AT MID WIDTH OF FURRING (SEE SCHEDULE FOR SPACING ON SHEET 6)

EXISTING CONCRETE, STEEL OR WOOD FLOOR, BUILT PER FLORIDA BUILDING CODE. (SEE NOTE 2/1)

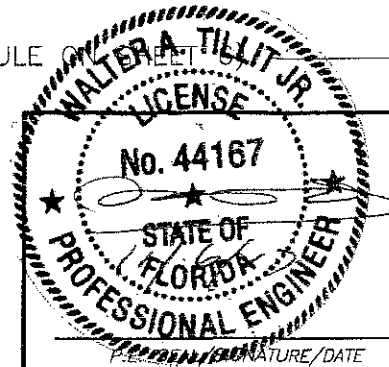
PRODUCT REVISED
 as complying with the Florida Building Code
 NOA-No. **17-1114.16**
 Expiration Date **07/02/2020**
 By *[Signature]*
 Miami-Dade Product Control



MIN. 2"x4" (G= 0.55) TREATED WOOD FURRING AT 16"OC. (SEE NOTE 5/1)
 W/ 1/4"Ø ULTRACON BY ELCO CONSTRUCTION PRODUCTS, AT MID WIDTH OF FURRING (SEE SCHEDULE FOR SPACING ON SHEET 6)

EXISTING CONCRETE, STEEL OR WOOD FLOOR, BUILT PER FLORIDA BUILDING CODE. (SEE NOTE 2/1)

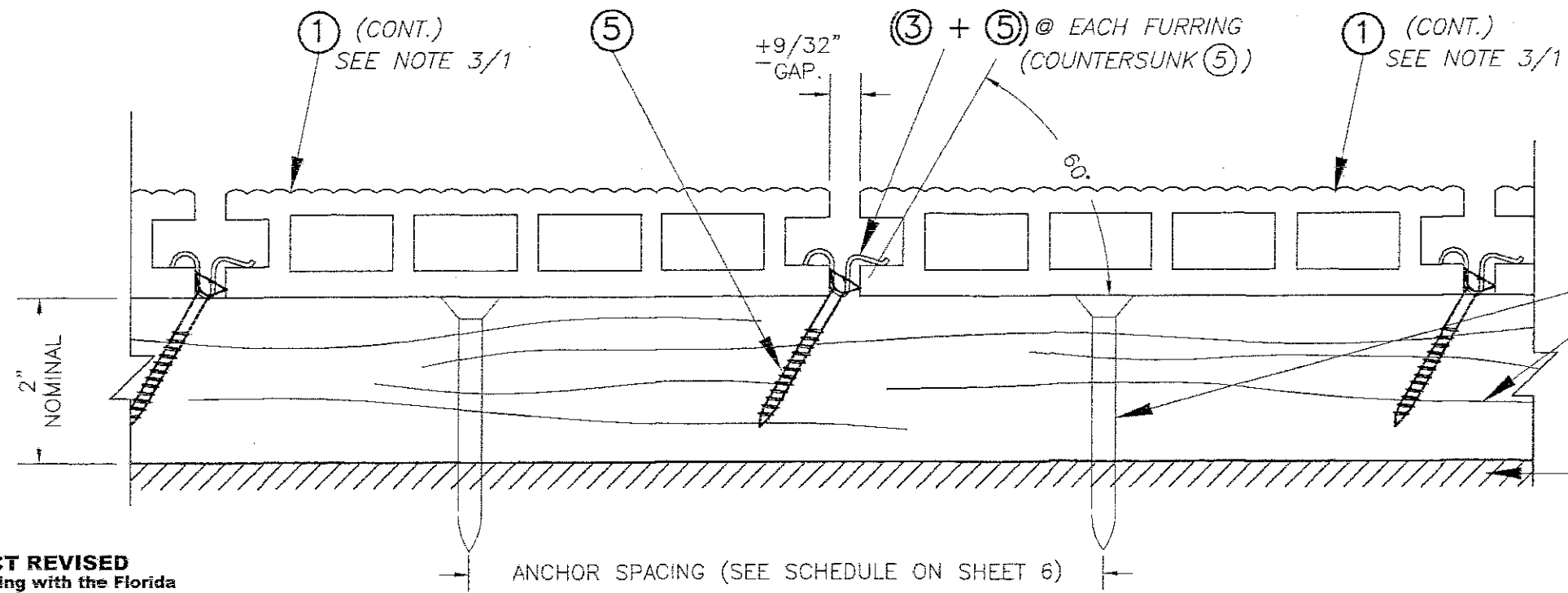
CASE II: ①, ② CONNECTION TO MIN. 2"x4" TREATED FURRING WITH NYLON CLIP ④
 (SCALE: 3/4" = 1")



© 2017 TILTECO INC.
TILTECO INC.
 TILLIT TESTING & ENGINEERING COMPANY
 6355 N.W. 38th St., Ste. 305, VIRGINIA GARDENS, FL 33166
 Phone: (305)871-1530 Fax: (305)871-1531
 e-mail: tilteco@aol.com
 EB-0006719
 WALTER A. TILLIT Jr. P.E.
 FLORIDA Lic. # 44167

FLORIDA BUILDING CODE (High Velocity Hurricane Zone)

RESYSTA PLATINUM & GOLD HOLLOW DECKING PROFILES			DRAWN BY M.L.		
RESYSTA NORTH AMERICA INC.			11/06/17 DATE		
14756 CENTRAL AVENUE, CHINO, CA 91710			17-284 DRAWING No		
PHONE: (909) 393-2800 FAX: (909) 393-2831			SHEET 4 OF 6		
REV. No	DESCRIPTION	DATE	REV. No	DESCRIPTION	DATE
1	OLD 14-032	11/6/17			
2					

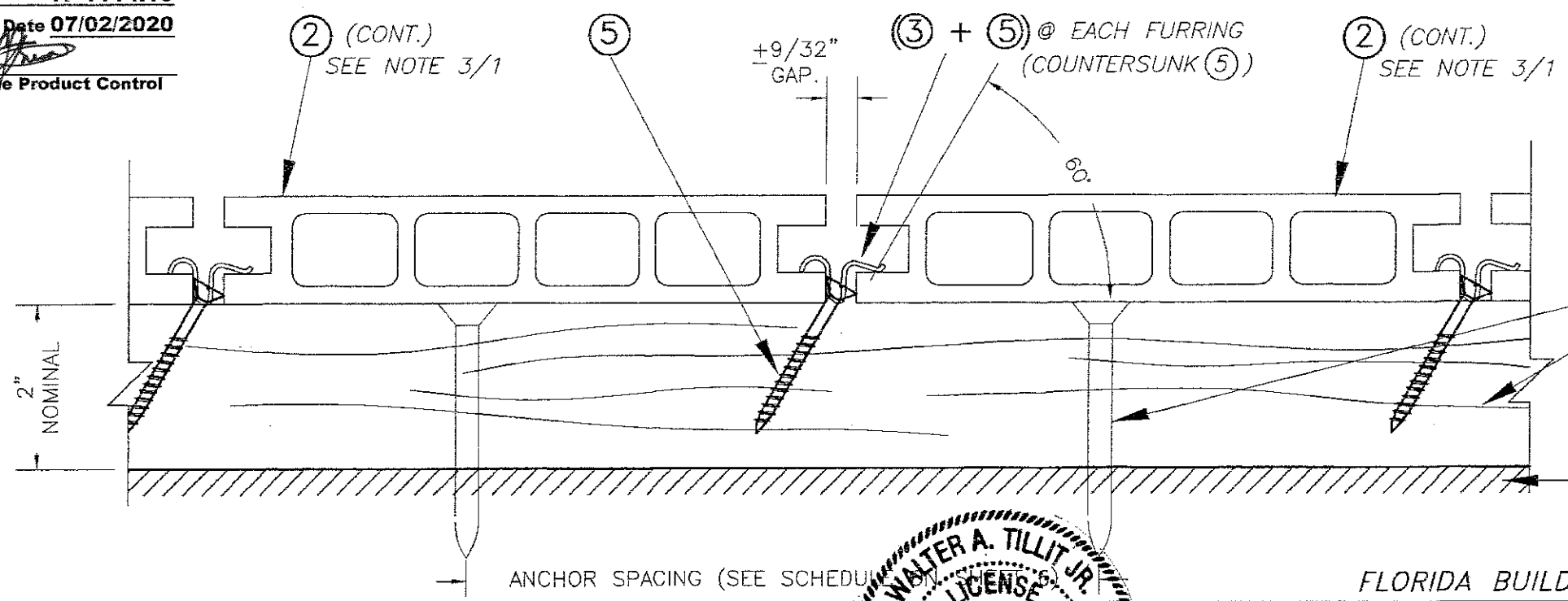


MIN. 2"x4" (G= 0.55) TREATED WOOD FURRING AT 16"OC. (SEE NOTE 5/1)
 W/ 1/4"Ø ULTRACON BY ELCO CONSTRUCTION PRODUCTS, AT MID WIDTH OF FURRING (SEE SCHEDULE FOR SPACING ON SHEET 6)

EXISTING CONCRETE, STEEL OR WOOD FLOOR, BUILT PER FLORIDA BUILDING CODE. (SEE NOTE 2/1)

ANCHOR SPACING (SEE SCHEDULE ON SHEET 6)

PRODUCT REVISED
 as complying with the Florida Building Code
 NOA-No. 17-1114.16
 Expiration Date 07/02/2020
 By [Signature]
 Miami-Dade Product Control

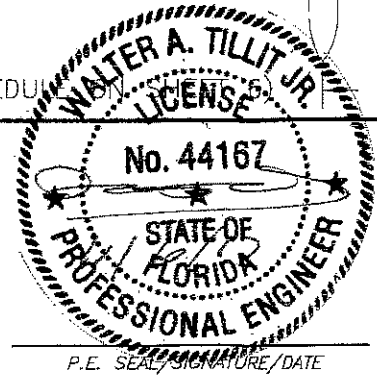


MIN. 2"x4" (G= 0.55) TREATED WOOD FURRING AT 16"OC. (SEE NOTE 5/1)
 W/ 1/4"Ø ULTRACON BY ELCO CONSTRUCTION PRODUCTS, AT MID WIDTH OF FURRING (SEE SCHEDULE FOR SPACING ON SHEET 6)

EXISTING CONCRETE, STEEL OR WOOD FLOOR, BUILT PER FLORIDA BUILDING CODE. (SEE NOTE 2/1)

ANCHOR SPACING (SEE SCHEDULE ON SHEET 6)

CASE III: ①, ② CONNECTION TO MIN. 2"x4" TREATED FURRING WITH METAL CLIP ③
 (SCALE: 3/4" = 1")



© 2017 TILTECO INC.

TILTECO INC.

TILLIT TESTING & ENGINEERING COMPANY
 6355 N.W. 36th St., Ste. 305, VIRGINIA GARDENS, FL 33166
 Phone : (305)871-1530 Fax : (305)871-1531
 e-mail: tilteco@aol.com
 EB-0006719
 WALTER A. TILLIT Jr. P.E.
 FLORIDA Lic. # 44167

FLORIDA BUILDING CODE (High Velocity Hurricane Zone)

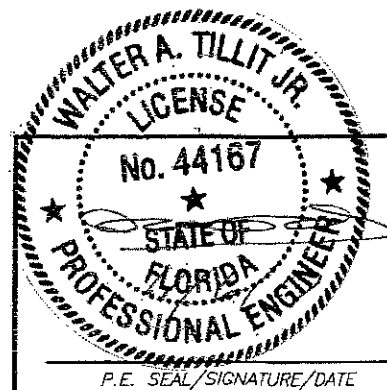
RESYSTA PLATINUM & GOLD HOLLOW DECKING PROFILES		DRAWN BY M.L.			
RESYSTA NORTH AMERICA INC.		11/06/17 DATE			
14756 CENTRAL AVENUE, CHINO, CA. 91710		17-284 DRAWING No			
PHONE: (909) 393-2800 FAX: (909) 393-2831		SHEET 5 OF 6			
REV. No	DESCRIPTION	DATE	REV. No	DESCRIPTION	DATE
1	OLD 14-032	11/6/17			
2					

MAX. ANCHOR SPACING SCHEDULE FOR FURRING ATTACHMENT TO EXISTING STRUCTURE

CASE	SUBSTRATE								
	CONCRETE MIN. f'c=2846 psi AT 28 DAYS			WOOD MIN. G = 0.55			STEEL MIN. 18 GAGE (0.048"THK) Fy=33Ksi		
	MIN. E.D.	MIN. EMB.	MAX. SPC.	MIN. E.D.	MIN. EMB.	MAX. SPC.	MIN. E.D.	MIN. EMB.	MAX. SPC.
I, II, III	2 1/2"	1 3/8"	12" O.C.	1"	1 1/2"	12" O.C.	1/2"	FULL THREAD	12" O.C.

NOTE: MIN. E.D. & EMBEDMENT ARE BEYOND ANY FINISH MATERIAL.

PRODUCT REVISED
as complying with the Florida
Building Code
NOA-No. 17-1114.16
Expiration Date 07/02/2020
By [Signature]
Miami-Dade Product Control



FLORIDA BUILDING CODE (High Velocity Hurricane Zone)

© 2017 TILTECO INC.		RESYSTA PLATINUM & GOLD HOLLOW DECKING PROFILES		DRAWN BY M.L.	
 TILLIT TESTING & ENGINEERING COMPANY 6355 N.W. 36th St., Ste. 305, VIRGINIA GARDENS, FL 33166 Phone: (305)871-1530 Fax: (305)871-1531 e-mail: tilteco@aol.com EB-0006719 WALTER A. TILLIT Jr. P.E. FLORIDA Lic. # 44167		RESYSTA NORTH AMERICA INC.		11/06/17 DATE	
		14756 CENTRAL AVENUE, CHINO, CA. 91710 PHONE: (909) 393-2800 FAX: (909) 393-2831		17-284 DRAWING No	
REV. No	DESCRIPTION	DATE	REV. No	DESCRIPTION	DATE
1	OLD 14-032	11/6/17			
2					
					SHEET 6 OF 6