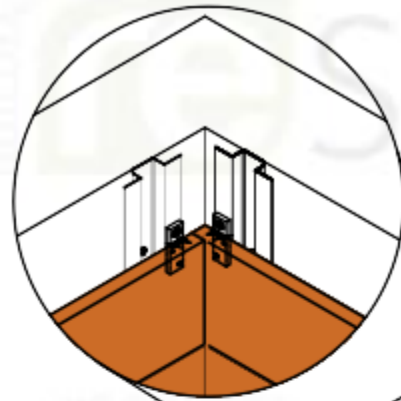
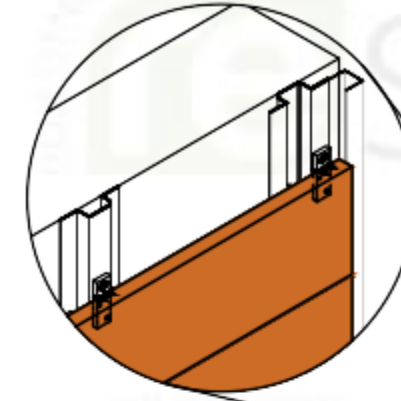


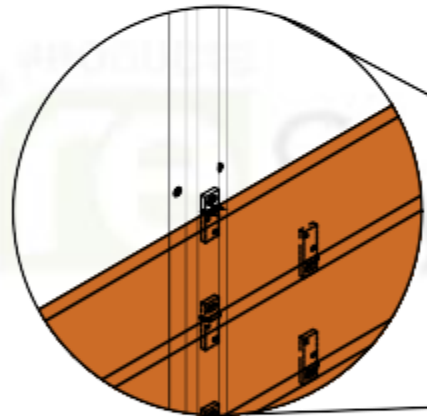
H-MOLD
(SEE SUB-DETAIL ATHCD-1.2)



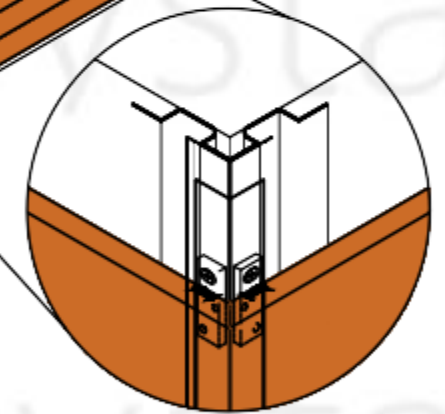
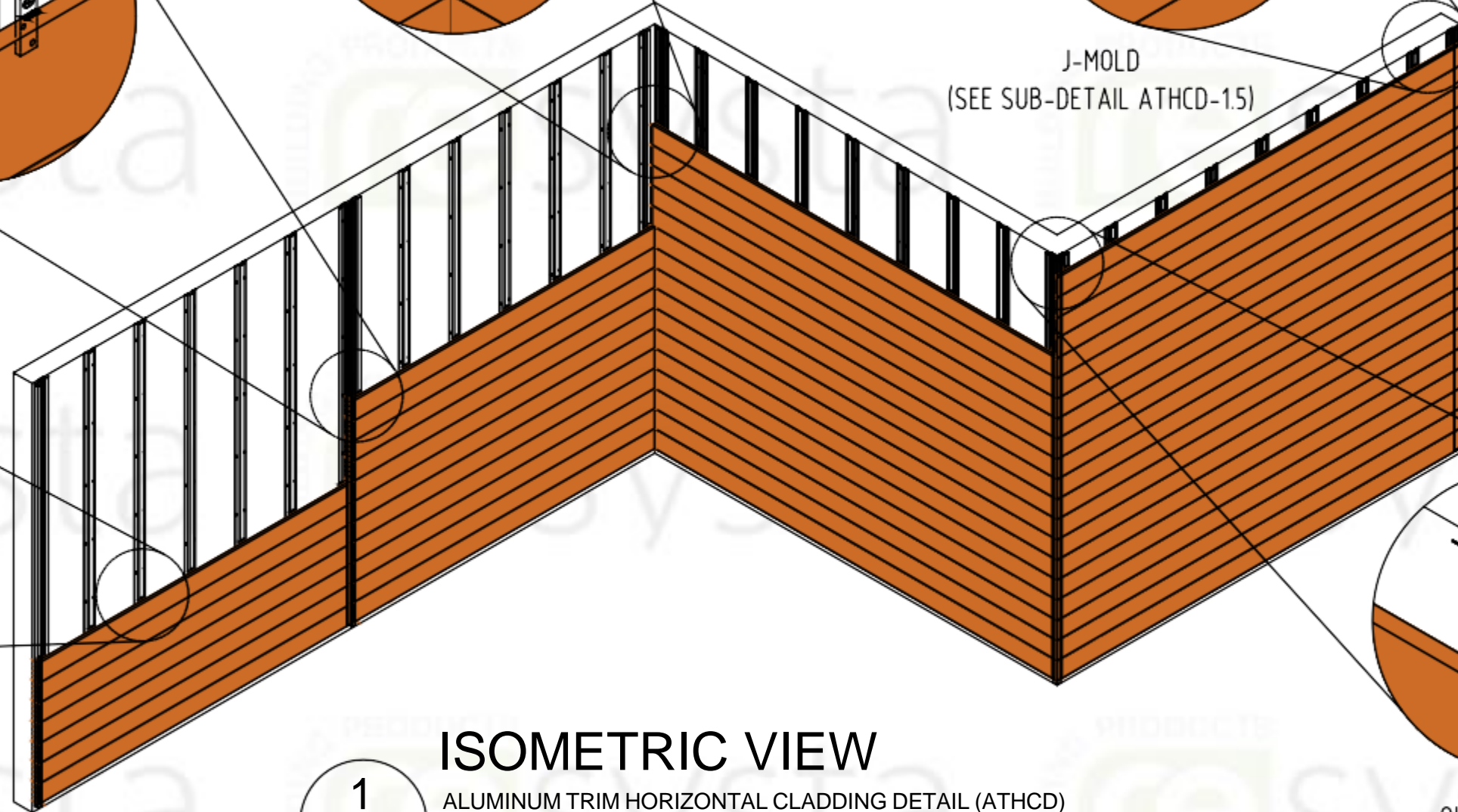
INSIDE CORNER
(SEE SUB-DETAIL ATHCD-1.3)



J-MOLD
(SEE SUB-DETAIL ATHCD-1.5)



FACADE CLIP
(SEE SUB-DETAIL ATHCD-1.1)



OUTSIDE CORNER
(SEE SUB-DETAIL ATHCD-1.4)

ISOMETRIC VIEW

1
ATHCD-1

ALUMINUM TRIM HORIZONTAL CLADDING DETAIL (ATHCD)

N.T.S



NOTE
THIS DRAWING AS AN INSTRUMENT OF SERVICE, IS THE PROPERTY OF RESYSTA AND AS SUCH MUST NOT BE REPRODUCED OR COPIED IN PART OR IN WHOLE WITHOUT THE PERMISSION OF THE AUTHOR.

TITLE
ALUMINUM TRIM HORIZONTAL CLADDING DETAIL

SPECIFICATION
TYPICAL DRAWING
DETAIL
CAD BY: M.T.C. CHECKED BY: C.R.E.

SHEET CONTENT
ISOMETRIC VIEW
BLOW-UP DETAIL

SHEET SIZE: A3
DRAWING NO.: ATHCD-01
DATE: 03.01.23
REVISION: 0

CONTINENT
RESYSTA USA

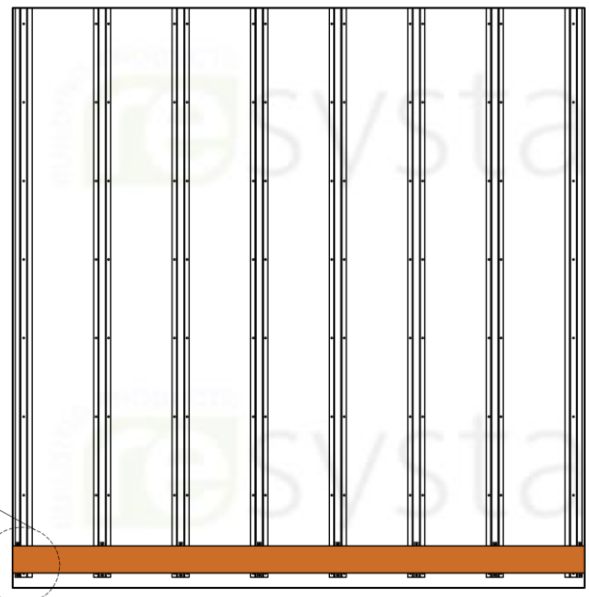
DIMENSION LEGEND

Millimeter (mm)
Inches (") / Foot (')

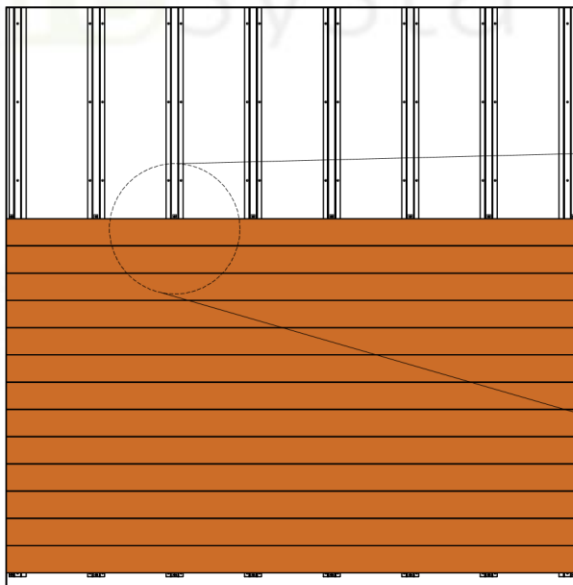


SECTION

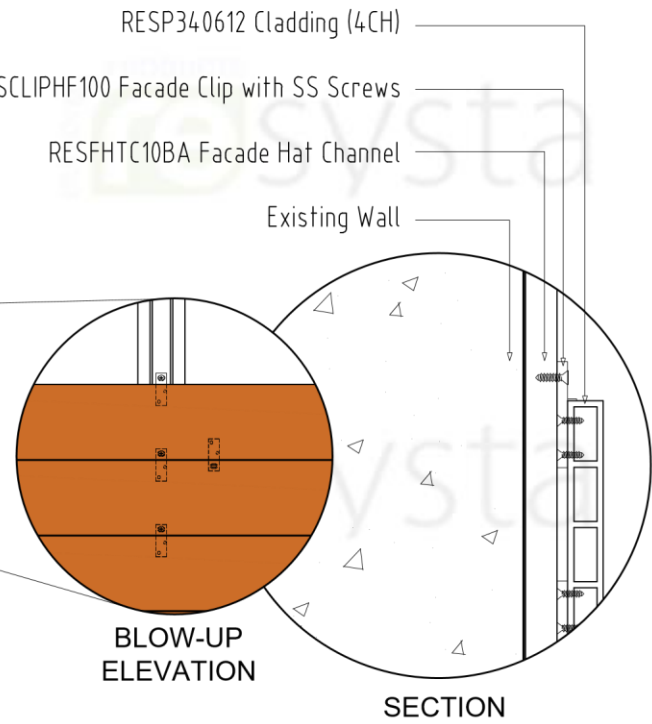
BLOW-UP ELEVATION



FRONT ELEVATION



FRONT ELEVATION



BLOW-UP ELEVATION

SECTION

SUB-DETAIL
ATHCD 1.1

N.T.S

Note:

Each HF Clip requires 3 screws. Two are #8 x 1/2" SMS screws to attach the Clip to the Resysta Wall Cladding board and one is to attach the wall cladding board with the clip to the battens.

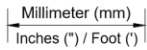


NOTE

THIS DRAWING AS AN INSTRUMENT OF SERVICE, IS THE PROPERTY OF RESYSTA AND AS SUCH MUST NOT BE REPRODUCED OR COPIED IN PART OR IN WHOLE WITHOUT THE PERMISSION OF THE AUTHOR.

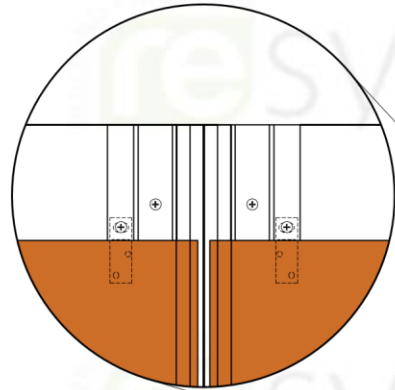
TITLE	SHEET CONTENT	CONTINENT
ALUMINUM TRIM HORIZONTAL CLADDING SUB-DETAIL	ELEVATION	RESYSTA USA
	BLOW-UP DETAIL	
SPECIFICATION	SECTION	DATE
	TYPICAL DRAWING DETAIL	DRAWING NO.
	ATHCD-02	CHECKED BY:
	M.T.C.	C.R.E.

DIMENSION LEGEND

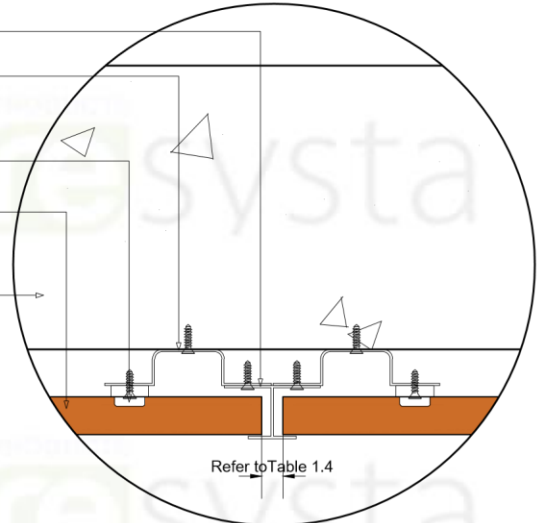


- RESFHM10 Facade H Mold
- Reverse RESFHTC10BA Facade Hat Channel
- RESCLIPHF100A Facade Clip
- RESP340612 Cladding (4CH)

Existing Wall

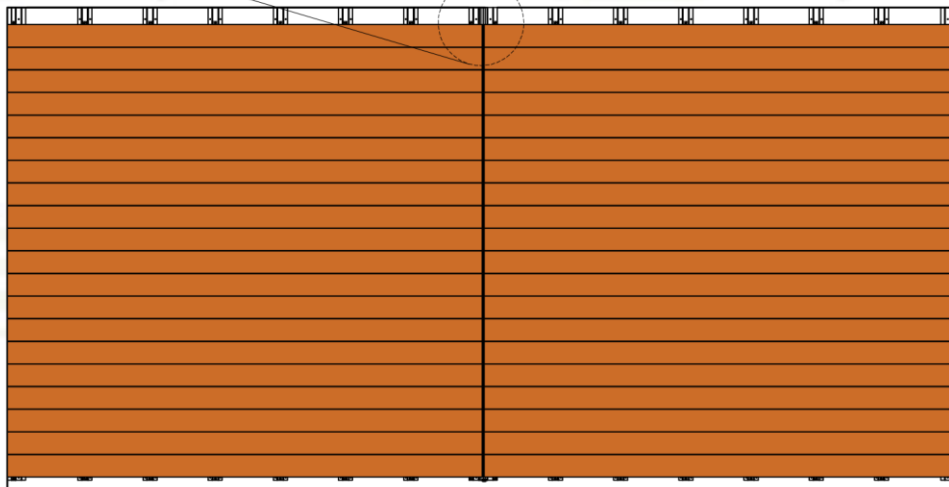


BLOW-UP ELEVATION



Refer to Table 1.4

TOP VIEW

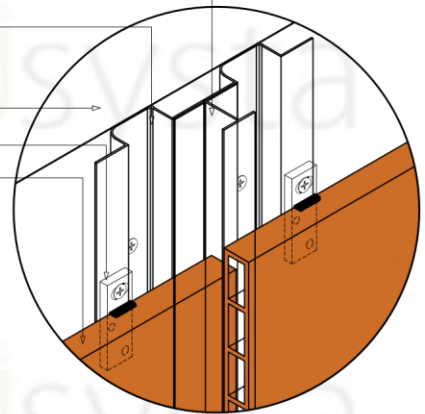


FRONT ELEVATION

SUB-DETAIL
ATHCD 1.2

N.T.S

- RESFHM10 Facade H Mold
- Reverse RESFHTC10BA Facade Hat Channel
- Existing Wall
- RESCLIPHF100A Facade Clip
- RESP340612 Cladding (4CH)



ISOMETRIC VIEW

Table 1.4 "Resysta Expansion"

Resysta Wall Cladding Board Gap Guide					
Temperature at Installation	Aluminum Trim Gap of Wall cladding Board				H-Channel Gap
	Below 30°F	60°F	90°F	120°F	
Amount for Wall cladding Profile - Length of 12 ft.	7/16"	5/16"	3/16"	0"	1/4"

Note :

An H-Channel Trim should be installed at each board abutment joint to cover the ends of the Resysta Wall Cladding Boards. This is an option for installation using 3 or more boards abutted end-to-end. When connecting wall cladding boards at the ends, please consider Resysta Expansion.



NOTE

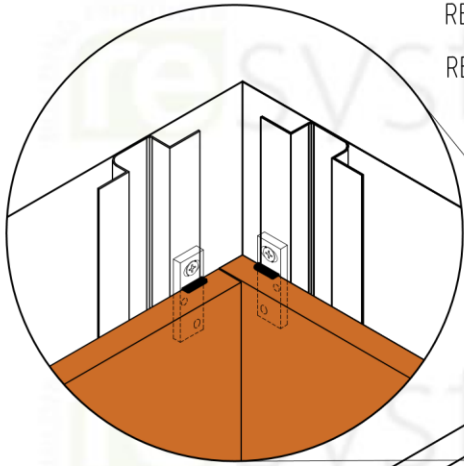
THIS DRAWING AS AN INSTRUMENT OF SERVICE, IS THE PROPERTY OF RESYSTA AND AS SUCH MUST NOT BE REPRODUCED OR COPIED IN PART OR IN WHOLE WITHOUT THE PERMISSION OF THE AUTHOR.

TITLE	SHEET CONTENT	CONTINENT
ALUMINUM TRIM HORIZONTAL CLADDING SUB-DETAIL	ELEVATION	RESYSTA USA
	BLOW-UP DETAIL	
	TOP VIEW	
SPECIFICATION	ISOMETRIC VIEW	DATE
TYPICAL DRAWING DETAIL	DRAWING NO.	03.01.23
	ATHCD-03	CHECKED BY:
	M.T.C.	C.R.E

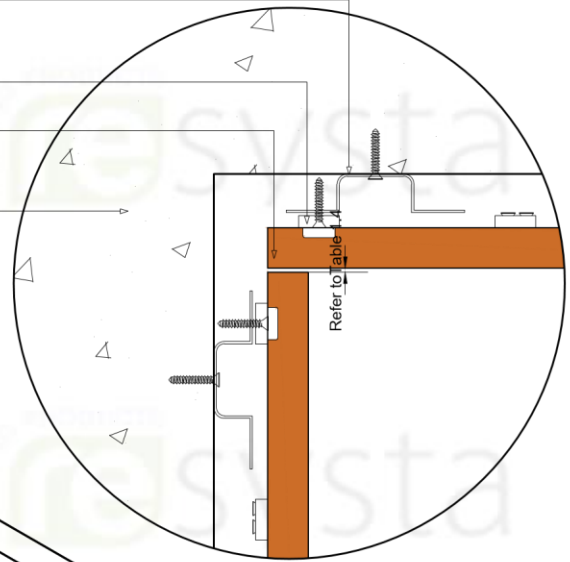
DIMENSION LEGEND

Millimeter (mm)
Inches (") / Foot (')

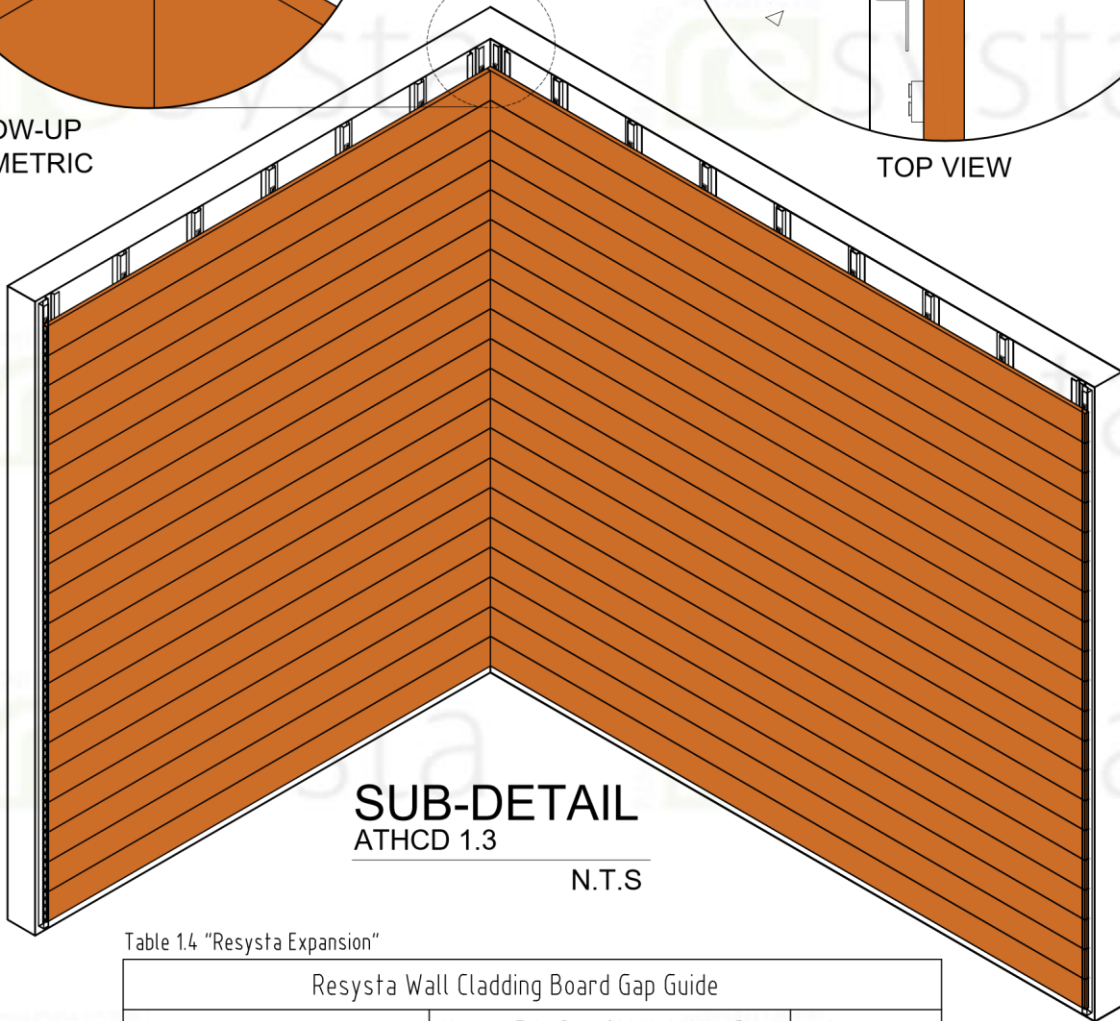
Reverse RESFHTC10BA
Facade Hat Channel
RESCLIPHF100A Facade Clip
RESP340612 Cladding (4CH)
Existing Wall



**BLOW-UP
ISOMETRIC**



TOP VIEW



**SUB-DETAIL
ATHCD 1.3
N.T.S**

**ISOMETRIC
VIEW**

Table 1.4 "Resysta Expansion"

Resysta Wall Cladding Board Gap Guide					
	Aluminum Trim Gap of Wall cladding Board				H-Channel Gap
Temperature at Installation	Below 30°F	60°F	90°F	120°F	
Amount for Wall cladding Profile - Length of 12 ft.	7/16"	5/16"	3/16"	0"	1/4"

Note :
When connecting wall cladding boards at the ends, please consider Resysta Expansion.



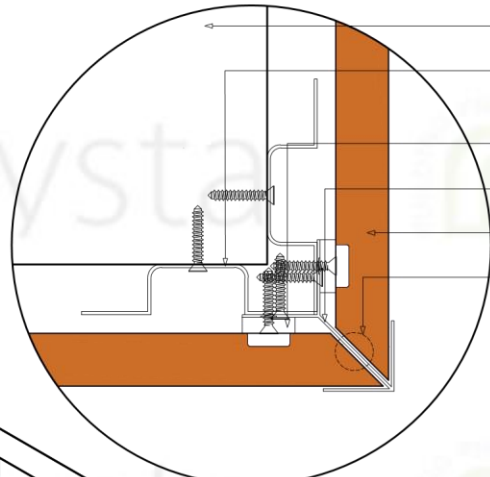
NOTE

THIS DRAWING AS AN INSTRUMENT OF SERVICE, IS THE PROPERTY OF RESYSTA AND AS SUCH MUST NOT BE REPRODUCED OR COPIED IN PART OR IN WHOLE WITHOUT THE PERMISSION OF THE AUTHOR.

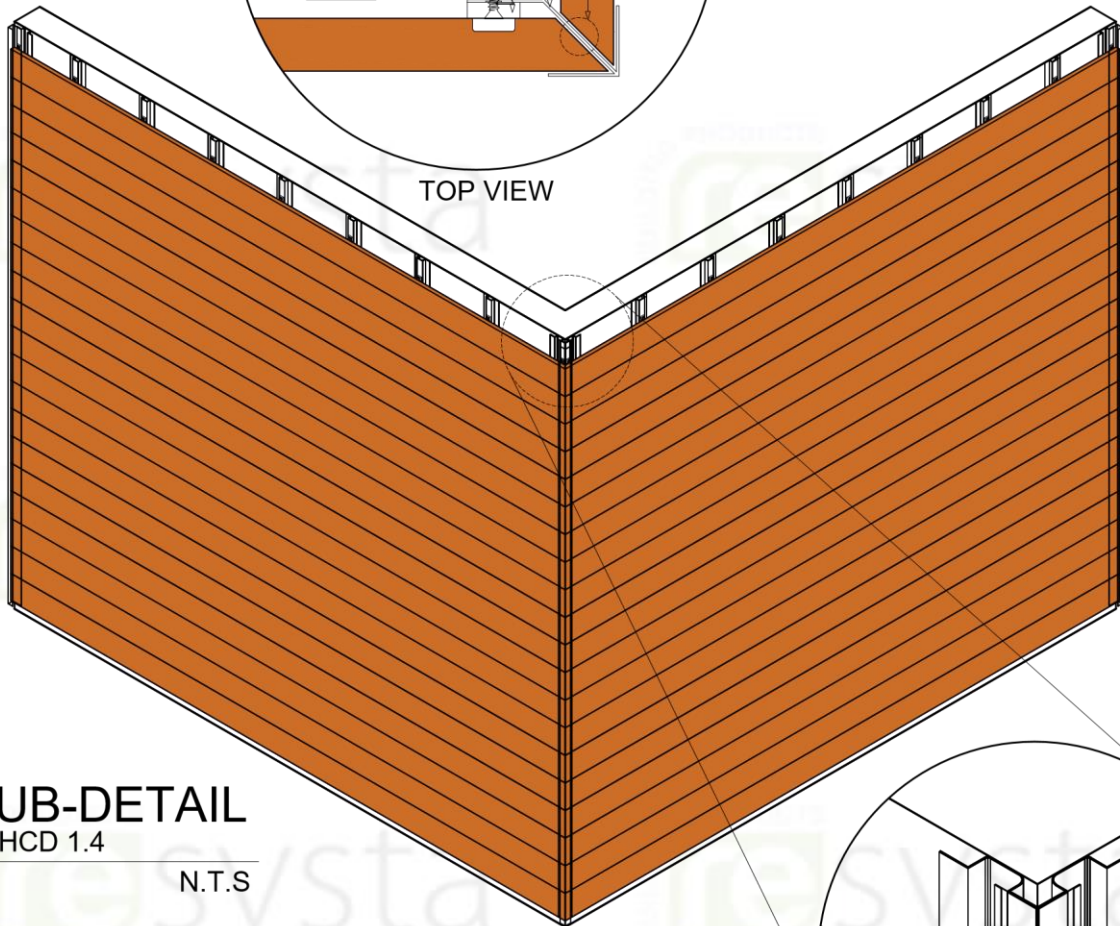
TITLE	SHEET CONTENT	CONTINENT
ALUMINUM TRIM HORIZONTAL CLADDING SUB-DETAIL	ISOMETRIC VIEW	RESYSTA USA
	BLOW-UP DETAIL	
	TOP VIEW	
SPECIFICATION	DRAWING NO.	DATE
TYPICAL DRAWING DETAIL	ATHCD-04	03.01.23
	CAD BY:	CHECKED BY:
	M.T.C.	C.R.E

DIMENSION LEGEND

Millimeter (mm)
Inches (") / Foot (')

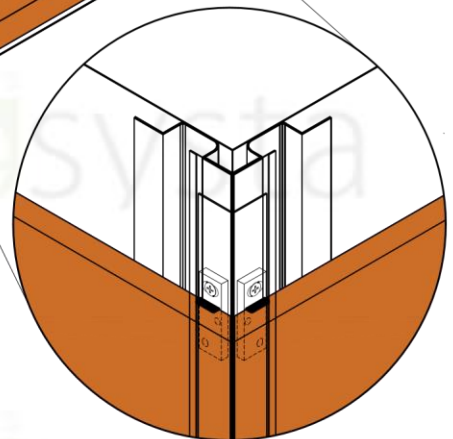


- Existing Wall
- Reverse RESFHTC10BA Facade Hat Channel
- RESCLIPHF100A Facade Clip
- RESFOC10 Facade Outside Corner
- RESP340612 Cladding (4CH)
- Gap_Refer to Table 1.4



TOP VIEW

ISOMETRIC VIEW



BLOW-UP ISOMETRIC

SUB-DETAIL
ATHCD 1.4

N.T.S

Table 1.4 "Resysta Expansion"

Resysta Wall Cladding Board Gap Guide					
	Aluminum Trim Gap of Wall cladding Board				H-Channel Gap
Temperature at Installation	Below 30°F	60°F	90°F	120°F	
Amount for Wall cladding Profile - Length of 12 ft.	7/16"	5/16"	3/16"	0"	1/4"

Note :

Outside corner trim should be pre applied prior to installing wall cladding boards. The wall cladding board end that is inserted into the outside corner should be miter cut at a 45 degree angle to match up with the outside corner internal web. Follow the gap guide when installing the wall cladding board to allow for expansion and contraction within the outside corner trim

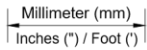


NOTE

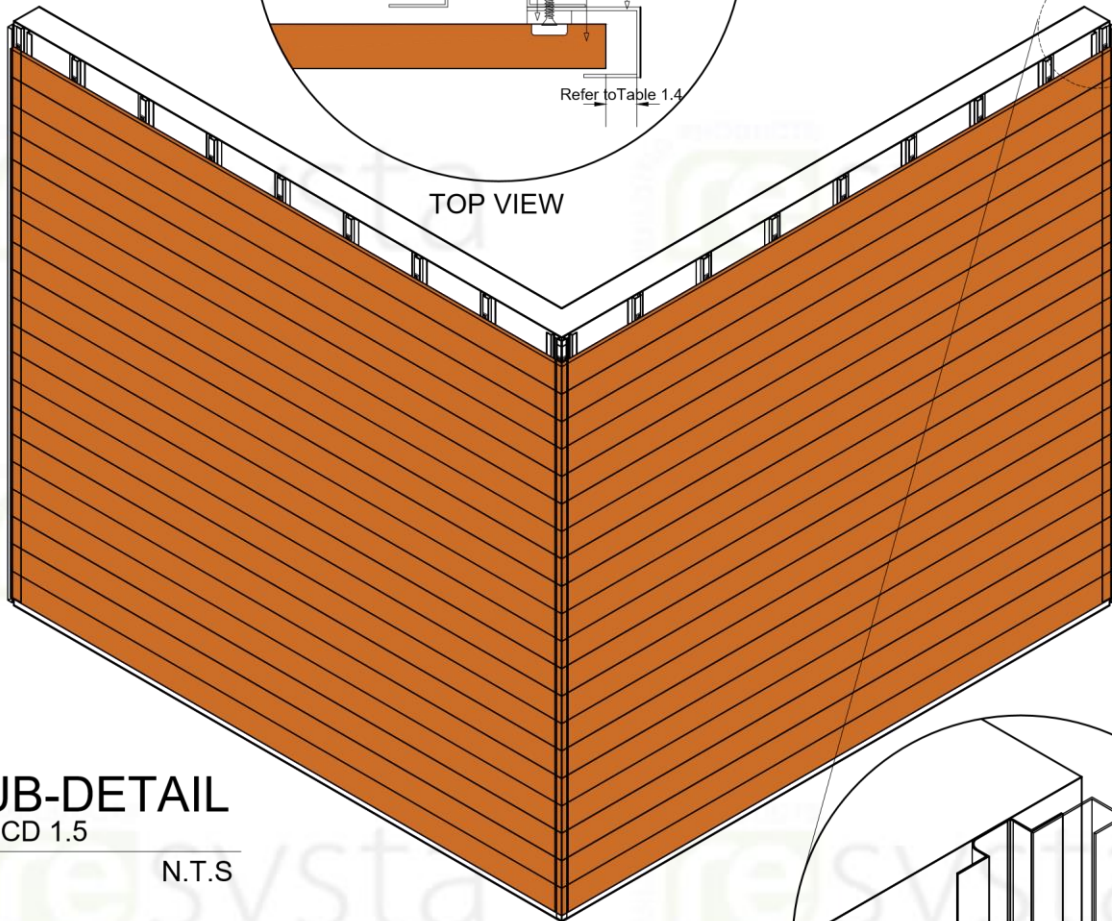
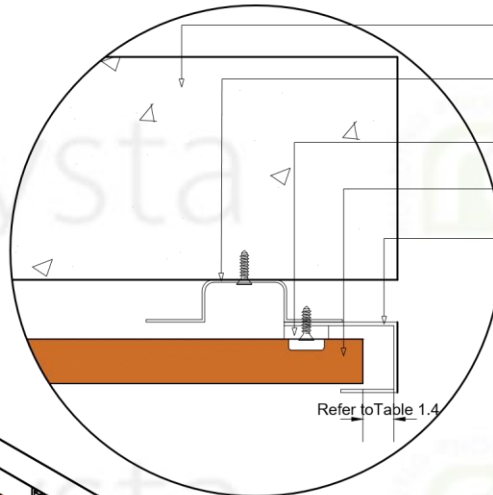
THIS DRAWING AS AN INSTRUMENT OF SERVICE, IS THE PROPERTY OF RESYSTA AND AS SUCH MUST NOT BE REPRODUCED OR COPIED IN PART OR IN WHOLE WITHOUT THE PERMISSION OF THE AUTHOR.

TITLE	SHEET CONTENT	CONTINENT
ALUMINUM TRIM HORIZONTAL CLADDING SUB-DETAIL	ISOMETRIC VIEW	RESYSTA USA
	BLOW-UP DETAIL	
	TOP VIEW	
SPECIFICATION	DRAWING NO.	DATE
TYPICAL DRAWING DETAIL	ATHCD-05	03.01.23
	CAD BY:	CHECKED BY:
	M.T.C.	C.R.E.

DIMENSION LEGEND

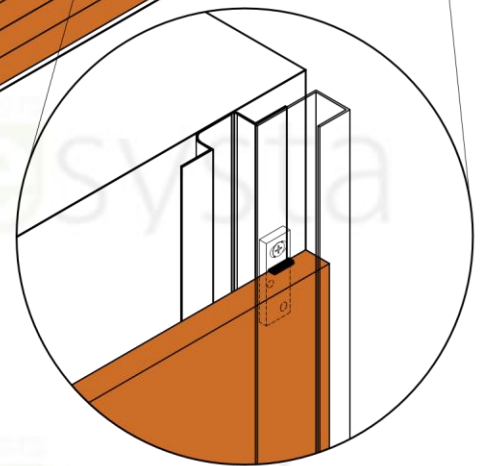


- Existing Wall
- Reverse RESFHTC10BA
- Facade Hat Channel
- RESCLIPHF100A Facade Clip
- RESP340612 Cladding (4CH)
- RESFJM10 Facade J Mold



TOP VIEW

ISOMETRIC VIEW



BLOW-UP ISOMETRIC

SUB-DETAIL

ATHCD 1.5

N.T.S

Table 1.4 "Resysta Expansion"

Resysta Wall Cladding Board Gap Guide					
	Aluminum Trim Gap of Wall cladding Board				H-Channel Gap
Temperature at Installation	Below 30°F	60°F	90°F	120°F	
Amount for Wall cladding Profile - Length of 12 ft.	7/16"	5/16"	3/16"	0"	1/4"

Note :

When a wall cladding board in either a horizontal or vertical application terminates into a wall, eave, window, door etc. a J-channel should be used to cover the exposed end of the wall cladding board. The J-channel should also be used along the bottom of a vertical installation. J-channel trim should be pre-applied prior to installing wall cladding boards.



NOTE

THIS DRAWING AS AN INSTRUMENT OF SERVICE, IS THE PROPERTY OF RESYSTA AND AS SUCH MUST NOT BE REPRODUCED OR COPIED IN PART OR IN WHOLE WITHOUT THE PERMISSION OF THE AUTHOR.

TITLE	SHEET CONTENT	CONTINENT
ALUMINUM TRIM HORIZONTAL CLADDING SUB-DETAIL	ISOMETRIC VIEW	RESYSTA USA
	BLOW-UP DETAIL	
	TOP VIEW	
SPECIFICATION	DRAWING NO.	DATE
TYPICAL DRAWING DETAIL	ATHCD-06	03.01.23
	CAD BY:	CHECKED BY:
	M.T.C.	C.R.E.