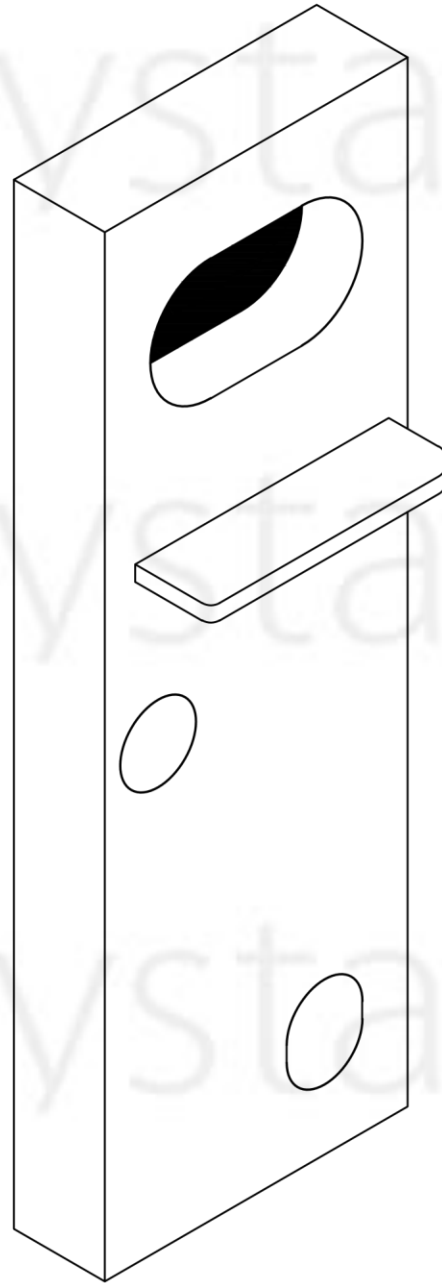
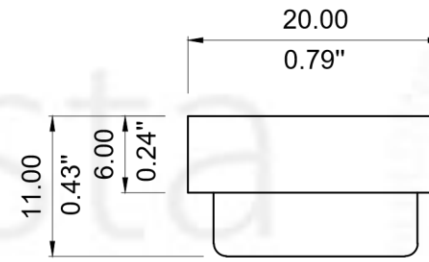


**DIMENSION LEGEND**

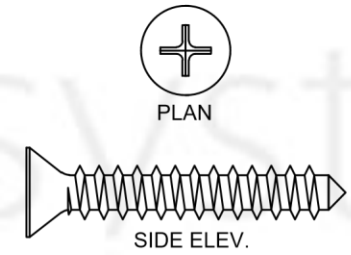
Millimeter (mm)  
Inches(") / Foot(')



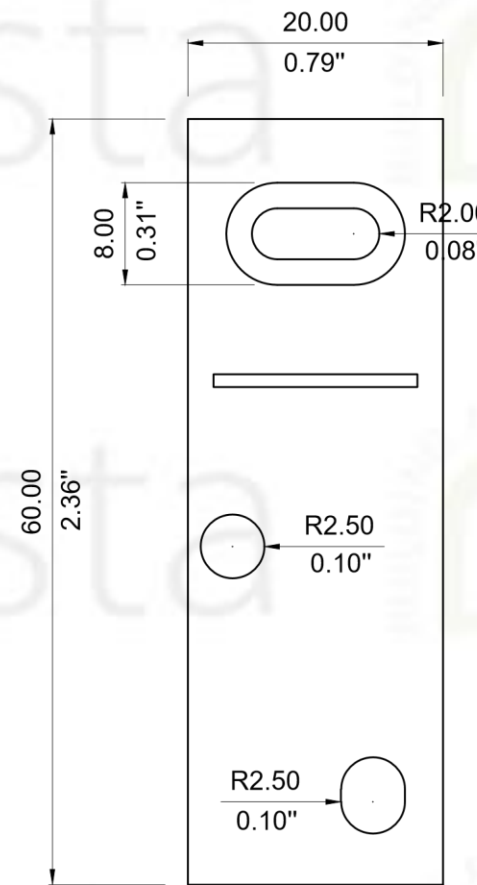
1 ISOMETRIC VIEW  
H-1 N.T.S



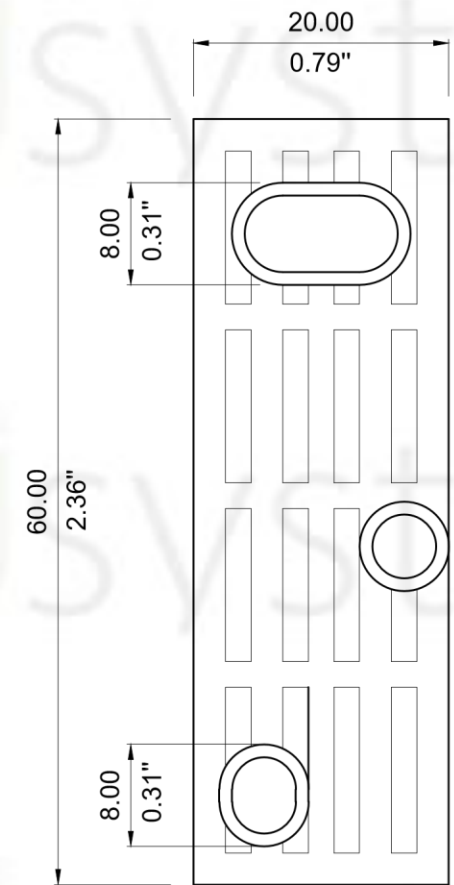
2 PLAN  
H-2 N.T.S



1 SCREW  
S-1 N.T.S



3 FRONT ELEVATION  
H-3 N.T.S



4 REAR ELEVATION  
H-4 N.T.S



**NOTE**

THIS DRAWING AS AN INSTRUMENT OF SERVICE, IS THE PROPERTY OF RESYSTA AND AS SUCH MUST NOT BE REPRODUCED OR COPIED IN PART OR IN WHOLE WITHOUT THE PERMISSION OF THE AUTHOR.

FACADE CLIP  
RESCLIPHF100

TITLE		SPECIFICATION	SHEET CONTENT	SHEET SIZE	DRAWING NO.	CONTINENT
FACADE CLIP RESCLIPHF100		TECHNICAL DRAWING SPECIFICATION	ISOMETRIC VIEW	A3	H & MS	RESYSTA USA
			FRONT ELEVATION			
			PLAN	DATE	REVISION	
			SIDE ELEVATION	12.12.22	0	
CAD BY:	CHECKED BY:					
M.T.C.	C.R.E.					