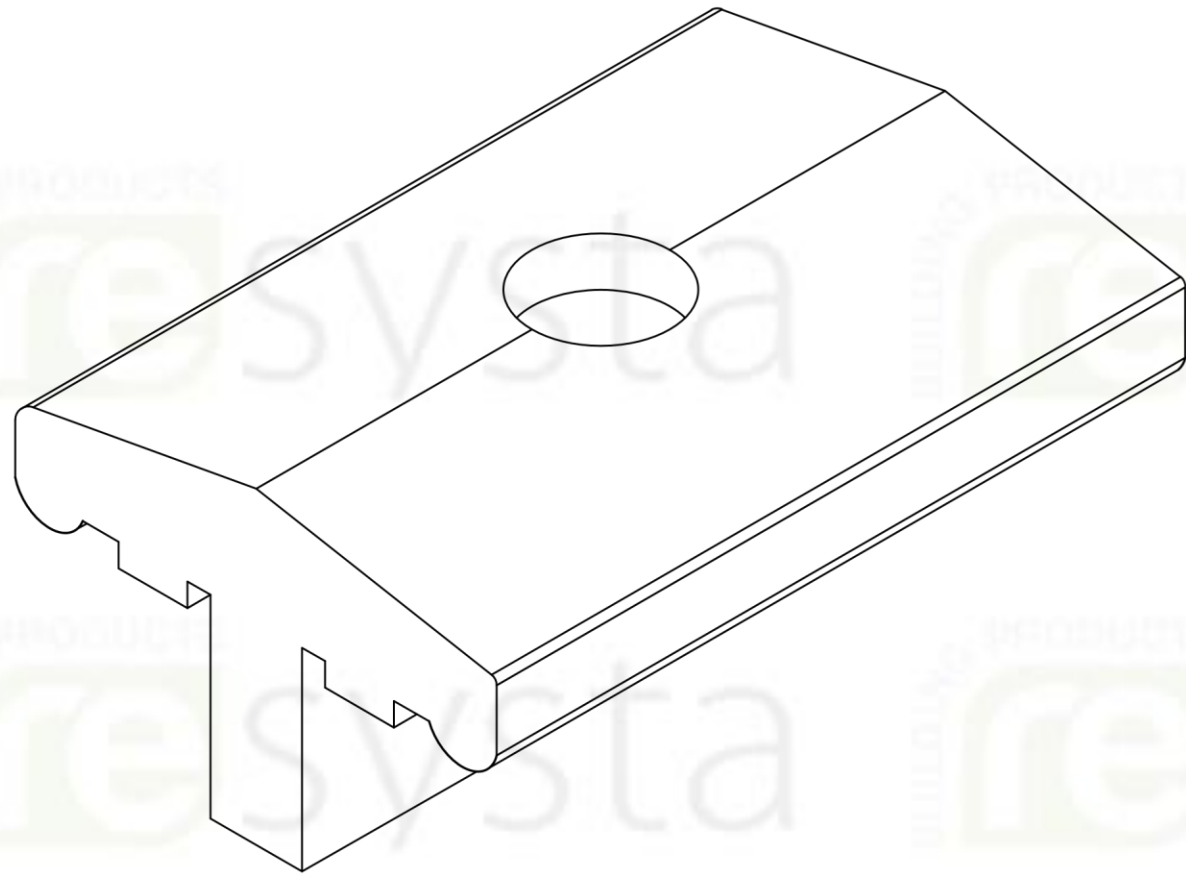
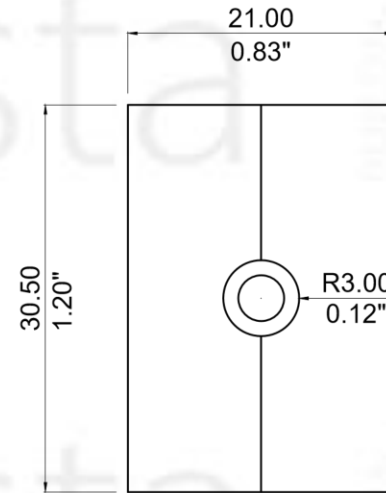


DIMENSION LEGEND

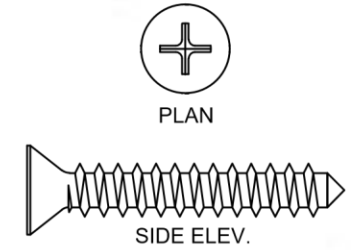
Millimeter (mm)
Inches(") / Foot(')



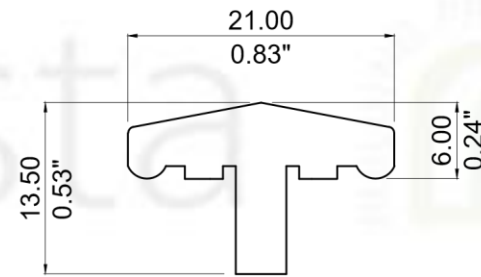
1 ISOMETRIC VIEW
TA-1 N.T.S



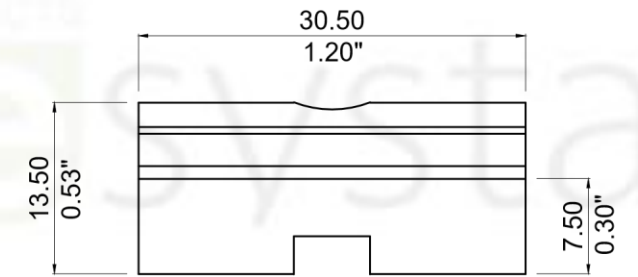
2 PLAN
TA-2 N.T.S



1 SCREW
S-1 N.T.S



3 FRONT ELEVATION
TA-3 N.T.S



4 SIDE ELEVATION
TA-4 N.T.S



NOTE

THIS DRAWING AS AN INSTRUMENT OF SERVICE, IS THE PROPERTY OF RESYSTA AND AS SUCH MUST NOT BE REPRODUCED OR COPIED IN PART OR IN WHOLE WITHOUT THE PERMISSION OF THE AUTHOR.

TITLE

DECKING CLIP
RESCLIPS200

SPECIFICATION

TECHNICAL DRAWING
SPECIFICATION

CAD BY:
M.T.C.

CHECKED BY:
C.R.E.

SHEET CONTENT

ISOMETRIC VIEW
FRONT ELEVATION
PLAN
SIDE ELEVATION

SHEET SIZE

A3

DATE

12.12.22

DRAWING NO.

TA

REVISION

0

CONTINENT

RESYSTA
USA