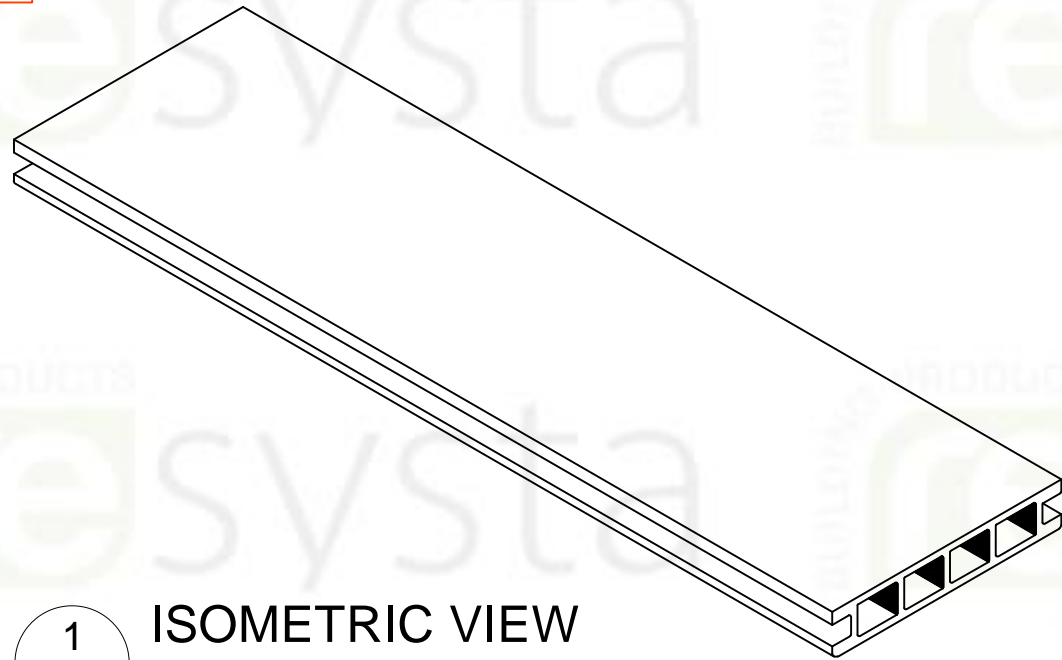
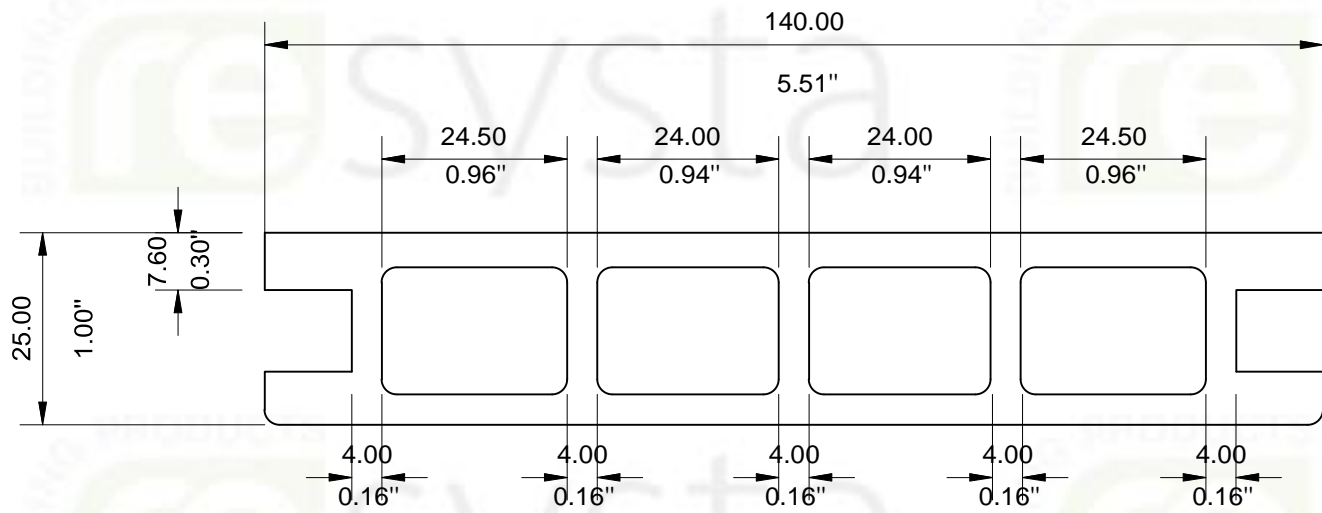


**DIMENSION LEGEND**

Millimeter (mm)  
Inches(") / Foot(')



**1 ISOMETRIC VIEW**  
D-1 SCALE 1:4



**2 FRONT ELEVATION**  
D-1 SCALE 1:1



**3 PLAN**  
D-1 SCALE 1:2

**4 SIDE ELEV.**  
D-1 SCALE 1:2

AVAILABLE IN 3657.60 (L)  
AVAILABLE IN 12' (L)



**NOTE**

THIS DRAWING AS AN INSTRUMENT OF SERVICE, IS THE PROPERTY OF RESYSTA AND AS SUCH MUST NOT BE REPRODUCED OR COPIED IN PART OR IN WHOLE WITHOUT THE PERMISSION OF THE AUTHOR.

**DECKING PROFILE GOLD**  
RESG010612

| SPECIFICATION                   |                       | SHEET CONTENT    |               | SHEET SIZE | DRAWING NO. | CONTINENT   |
|---------------------------------|-----------------------|------------------|---------------|------------|-------------|-------------|
| TECHNICAL DRAWING SPECIFICATION |                       | ISOMETRIC VIEW   |               | A3         | D-1         | RESYSTA USA |
|                                 |                       | FRONT ELEVATION  |               |            |             |             |
|                                 |                       | PLAN             |               |            |             |             |
| CAD BY:<br>M.T.C.               | CHECKED BY:<br>C.R.E. | DATE<br>12.12.22 | REVISION<br>0 |            |             |             |