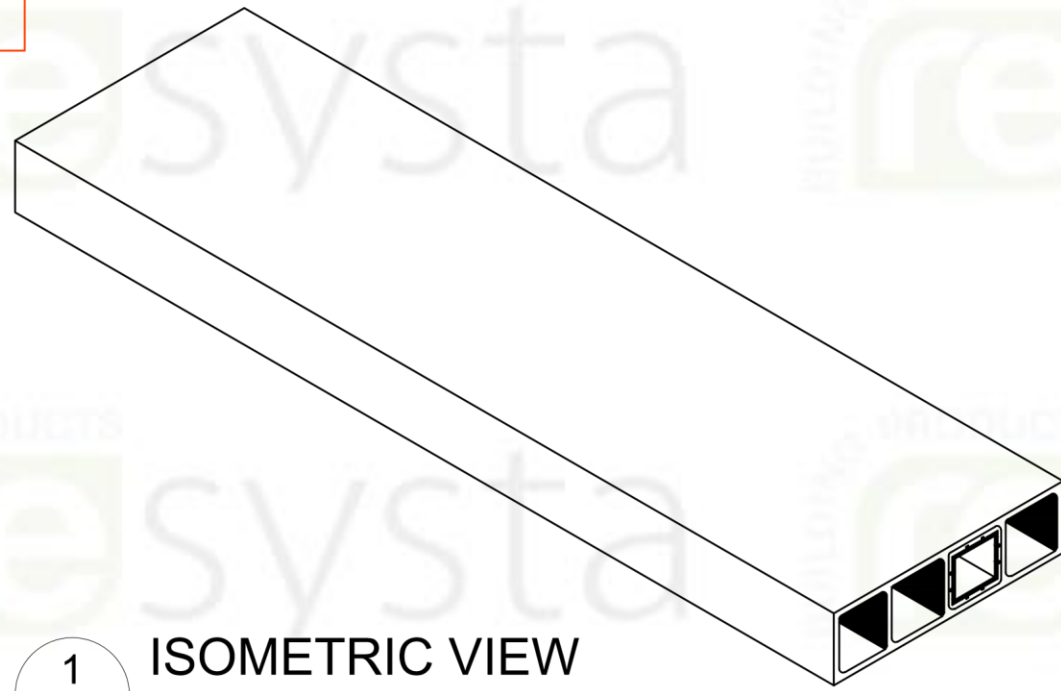


DIMENSION LEGEND

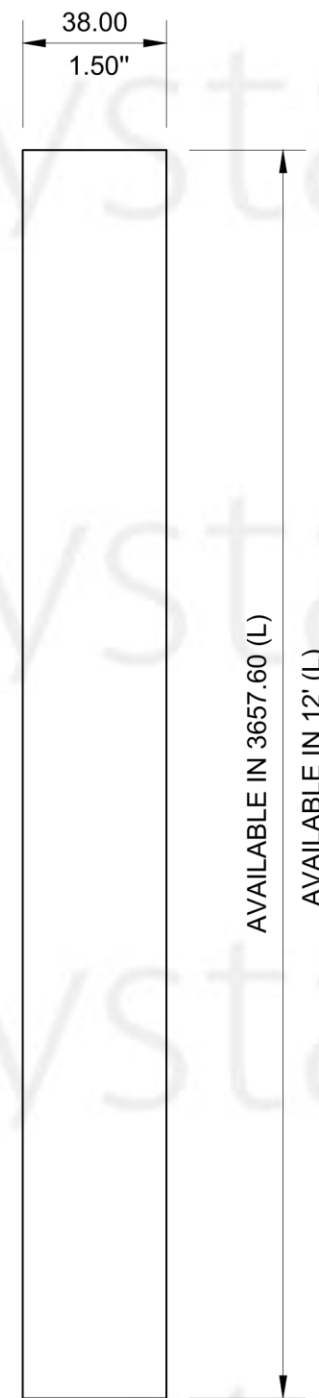
Millimeter (mm)
Inches(") / Foot(')



1 ISOMETRIC VIEW
C-1 SCALE 1:4

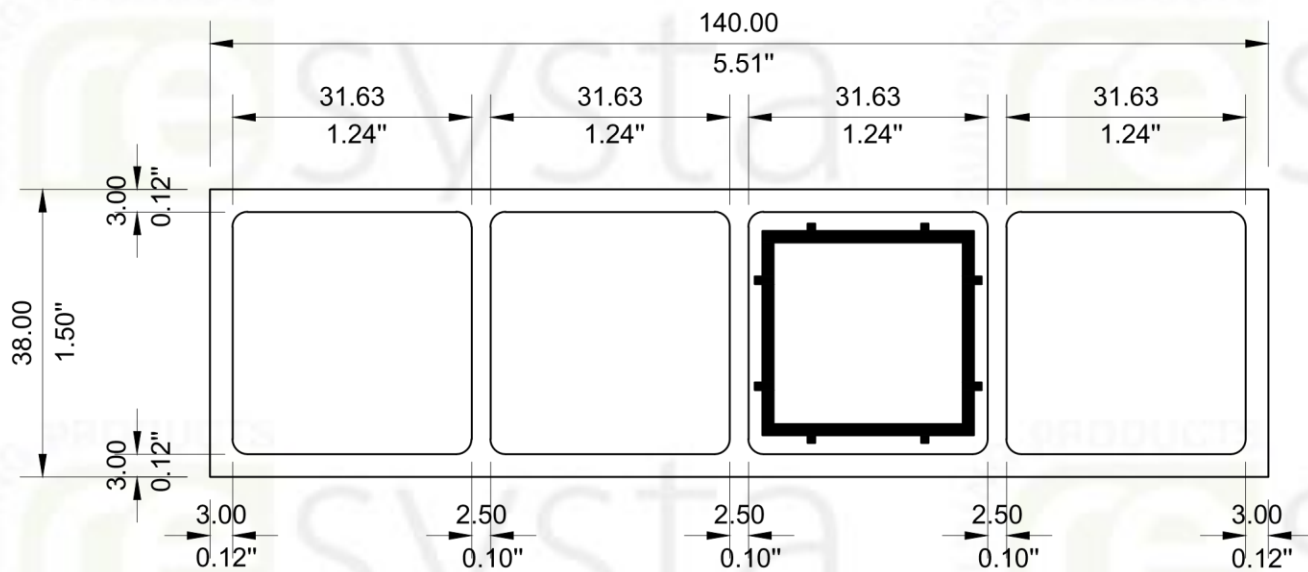


3 PLAN
C-1 SCALE 1:2



4 SIDE ELEV.
C-1 SCALE 1:2

AVAILABLE IN 3657.60 (L)
AVAILABLE IN 12' (L)



2 FRONT ELEVATION
C-1 SCALE 1:1



NOTE

THIS DRAWING AS AN INSTRUMENT OF SERVICE, IS THE PROPERTY OF RESYSTA AND AS SUCH MUST NOT BE REPRODUCED OR COPIED IN PART OR IN WHOLE WITHOUT THE PERMISSION OF THE AUTHOR.

TITLE
**WALL CLADDING 4CH
W/ ALUMINUM INSERT FOR SPAN UP TO 48"**
RESGCI020612

SPECIFICATION
**TECHNICAL DRAWING
SPECIFICATION**
CAD BY: C.R.E. CHECKED BY:

SHEET CONTENT
ISOMETRIC VIEW
FRONT ELEVATION
PLAN
SIDE ELEVATION

SHEET SIZE	DRAWING NO.	CONTINENT
A3	C-1	RESYSTA USA
DATE	REVISION	
16.03.23	0	