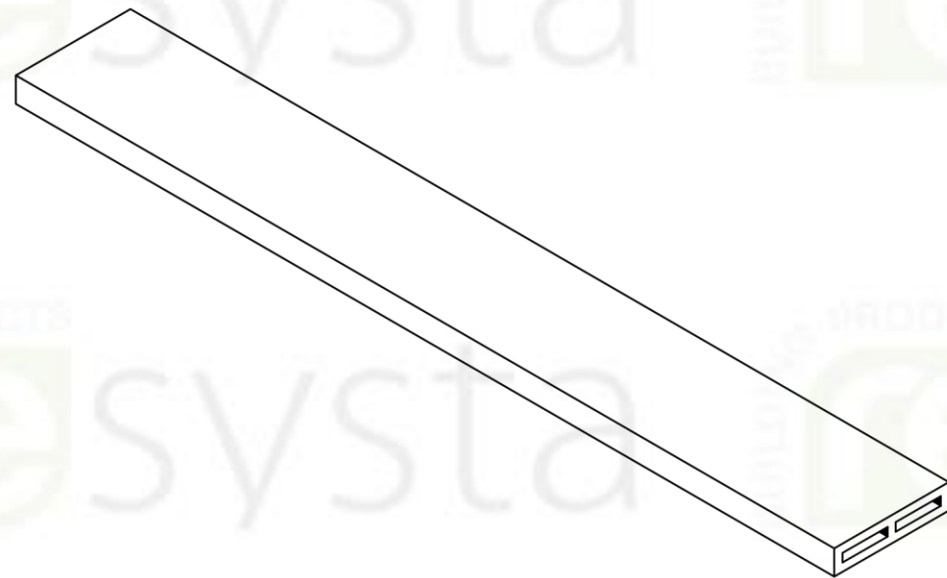
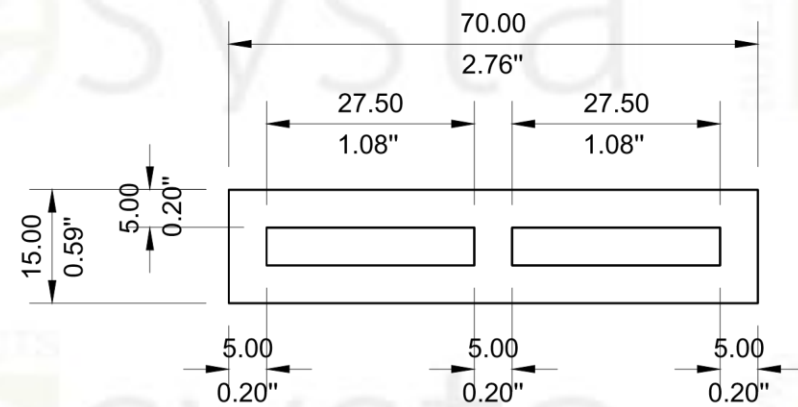


DIMENSION LEGEND

Millimeter (mm)
Inches(") / Foot(')



1 ISOMETRIC VIEW
C-6 SCALE 1:4



2 FRONT ELEVATION
C-6 SCALE 1:1



3 PLAN
C-4 SCALE 1:2

4 SIDE ELEV.
C-4 SCALE 1:2



NOTE

THIS DRAWING AS AN INSTRUMENT OF SERVICE, IS THE PROPERTY OF RESYSTA AND AS SUCH MUST NOT BE REPRODUCED OR COPIED IN PART OR IN WHOLE WITHOUT THE PERMISSION OF THE AUTHOR.

TITLE
WALL CLADDING 2CH - THIN
RESP1223412

SPECIFICATION
TECHNICAL DRAWING SPECIFICATION
CAD BY: M.T.C. CHECKED BY: C.R.E.

SHEET CONTENT
ISOMETRIC VIEW
FRONT ELEVATION
PLAN
SIDE ELEVATION

SHEET SIZE: A3
DRAWING NO.: C-6
DATE: 12.12.22
REVISION: 0

CONTINENT
RESYSTA USA