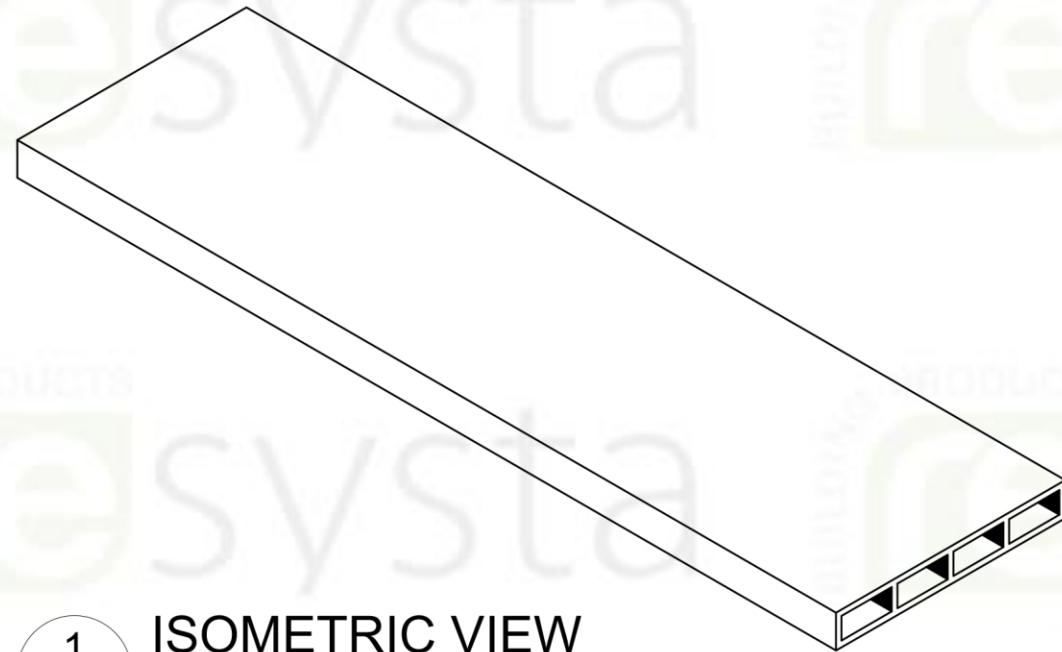
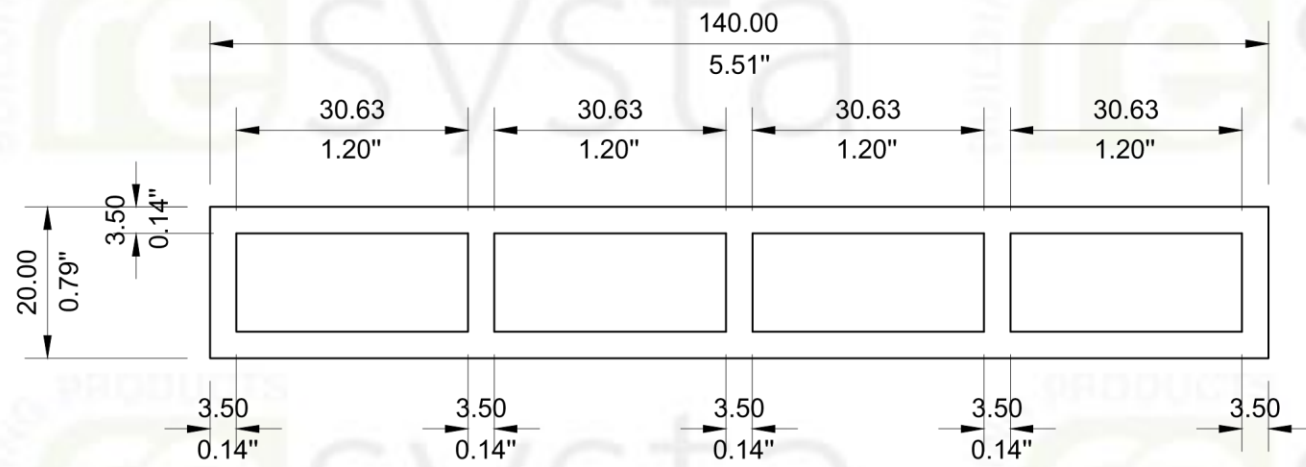


DIMENSION LEGEND

Millimeter (mm)
Inches(") / Foot(')



1 ISOMETRIC VIEW
C-8 SCALE 1:4



2 FRONT ELEVATION
C-8 SCALE 1:1



3 PLAN
C-8 SCALE 1:2

4 SIDE ELEV.
C-8 SCALE 1:2



NOTE

THIS DRAWING AS AN INSTRUMENT OF SERVICE, IS THE PROPERTY OF RESYSTA AND AS SUCH MUST NOT BE REPRODUCED OR COPIED IN PART OR IN WHOLE WITHOUT THE PERMISSION OF THE AUTHOR.

TITLE		SPECIFICATION	SHEET CONTENT	SHEET SIZE	DRAWING NO.	CONTINENT
FACADE CLADDING 4CH RESP340612		TECHNICAL DRAWING SPECIFICATION	ISOMETRIC VIEW	A3	C-8	RESYSTA USA
			FRONT ELEVATION			
			PLAN	DATE	REVISION	
			SIDE ELEVATION	12.12.22	0	
CAD BY:	CHECKED BY:	M.T.C.	C.R.E.			