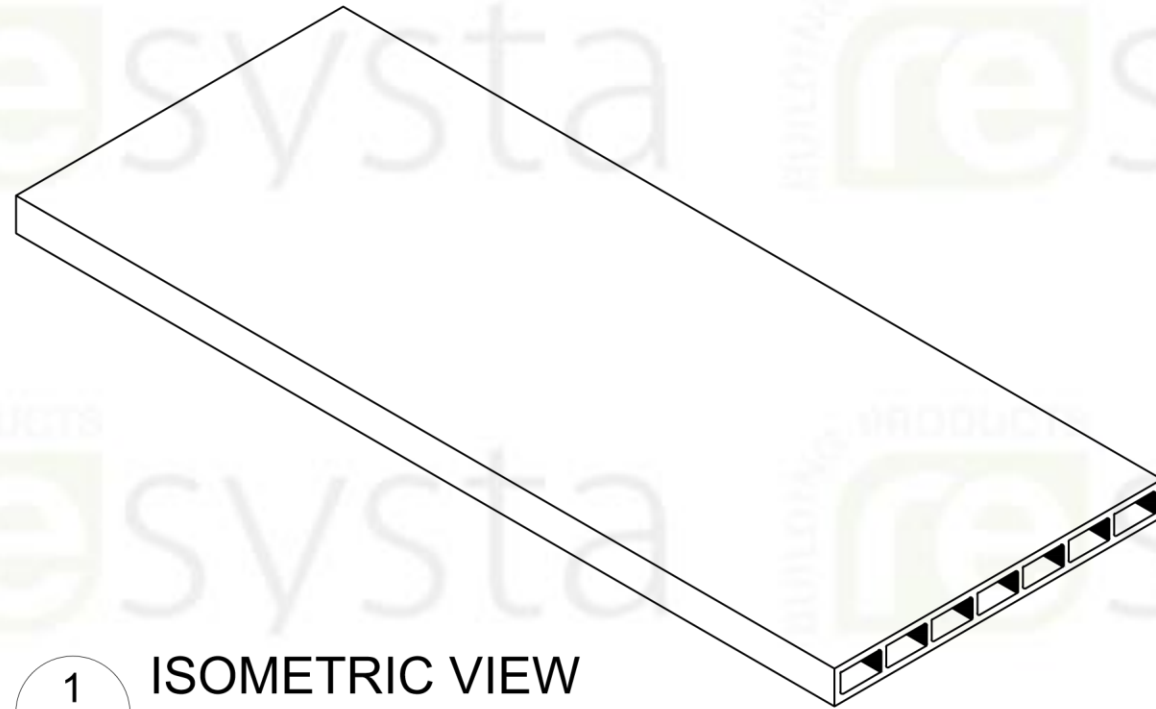


**DIMENSION LEGEND**

Millimeter (mm)  
Inches(") / Foot(')

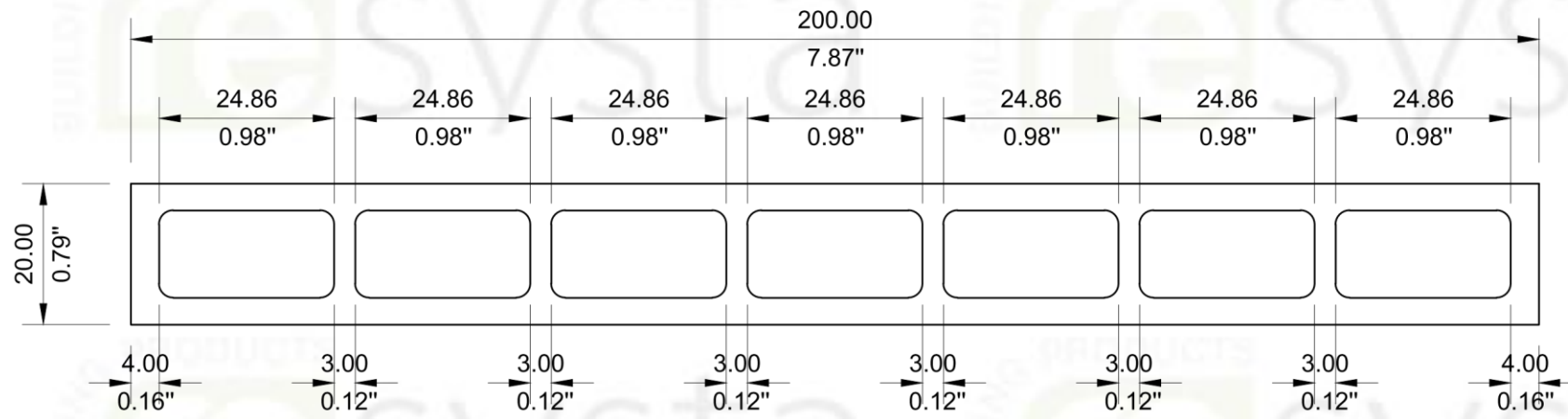


**1 ISOMETRIC VIEW**  
C-9 SCALE 1:4



**3 PLAN**  
C-9 SCALE 1:2

**4 SIDE ELEV.**  
C-9 SCALE 1:2



**2 FRONT ELEVATION**  
C-9 SCALE 1:1



**NOTE**  
THIS DRAWING AS AN INSTRUMENT OF SERVICE, IS THE PROPERTY OF RESYSTA AND AS SUCH MUST NOT BE REPRODUCED OR COPIED IN PART OR IN WHOLE WITHOUT THE PERMISSION OF THE AUTHOR.

TITLE	FACADE CLADDING 7CH RESP340812	
-------	-----------------------------------	--

SPECIFICATION	TECHNICAL DRAWING SPECIFICATION
CAD BY:	M.T.C.
CHECKED BY:	C.R.E.

SHEET CONTENT	ISOMETRIC VIEW FRONT ELEVATION PLAN SIDE ELEVATION
---------------	---

SHEET SIZE	A3	DRAWING NO.	C-9
DATE	12.12.22	REVISION	0

CONTINENT  
RESYSTA USA