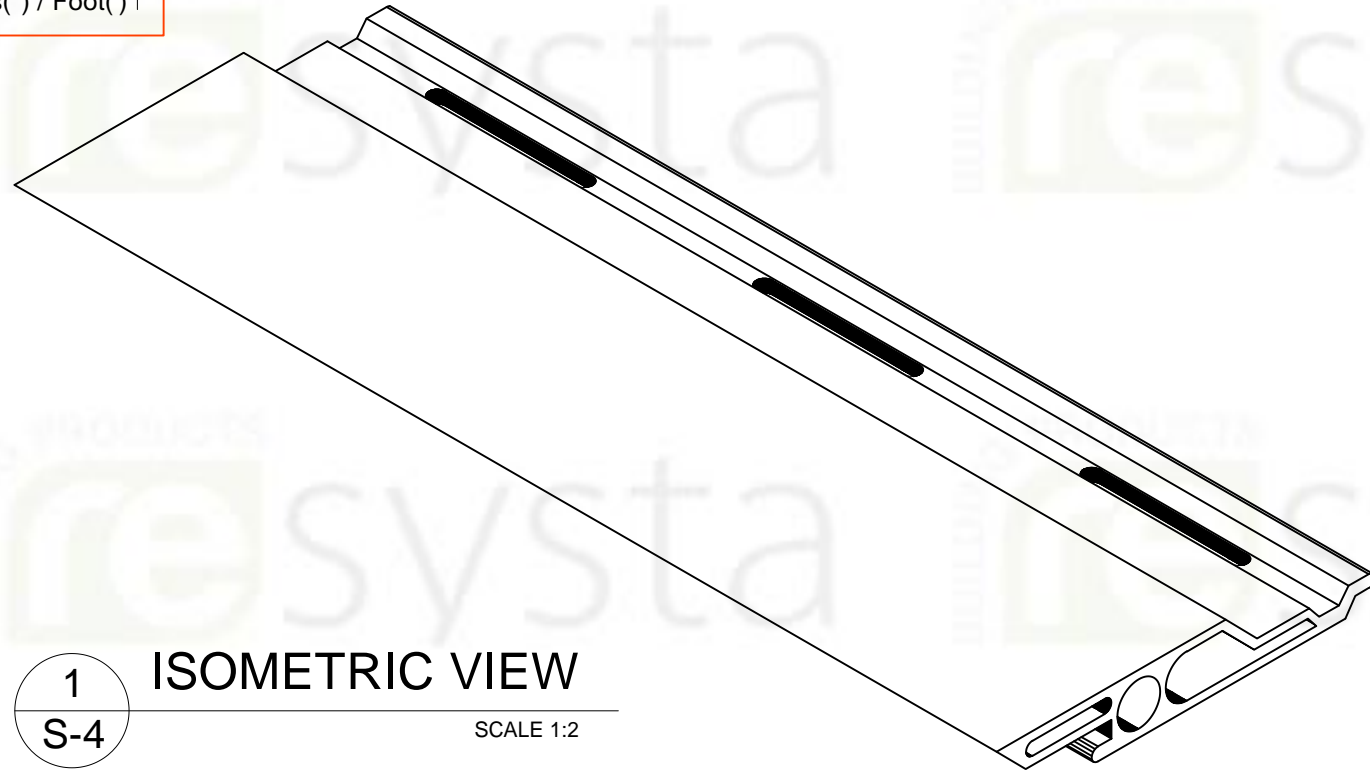
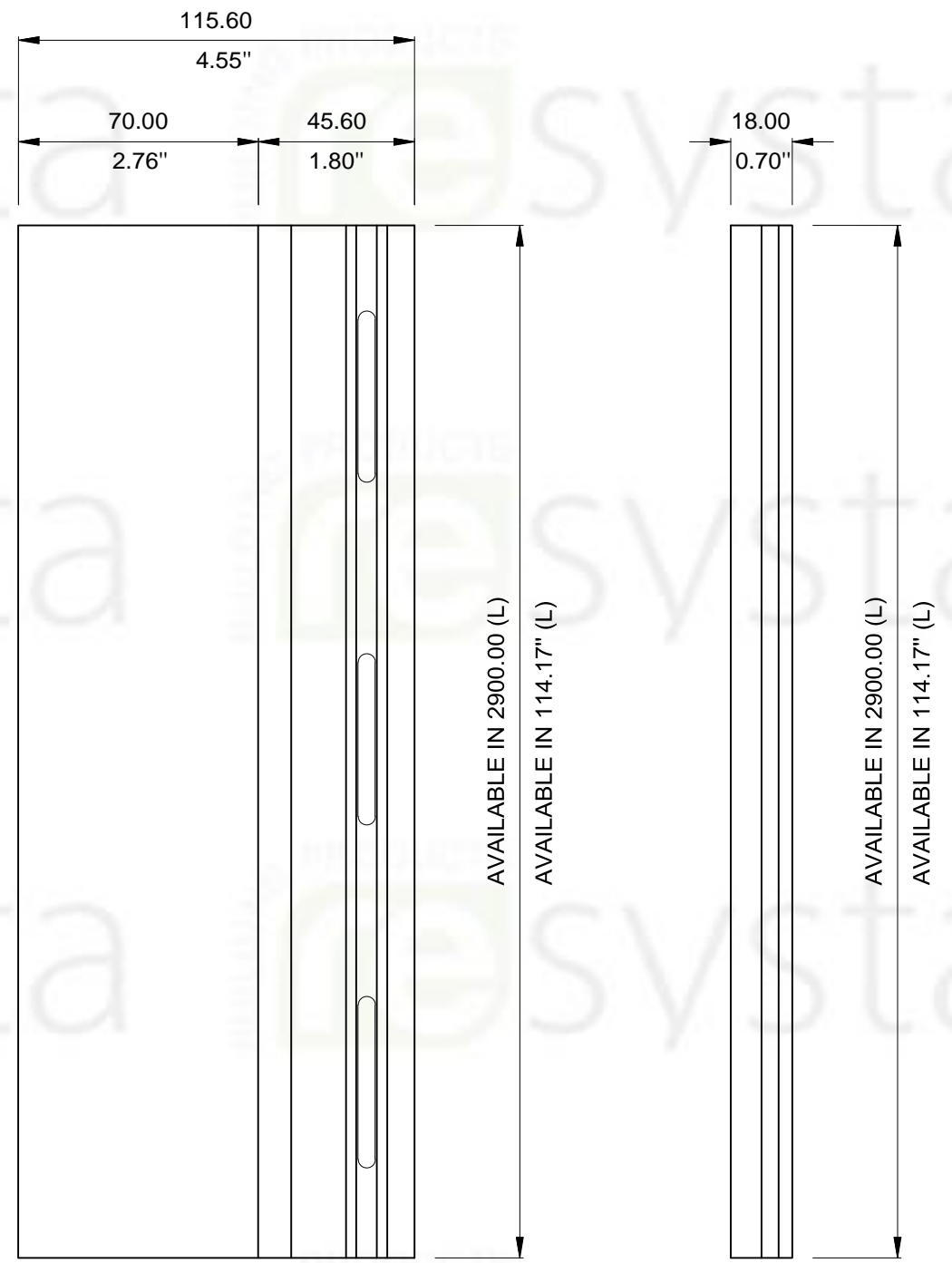


DIMENSION LEGEND

Millimeter (mm)
Inches(") / Foot(')

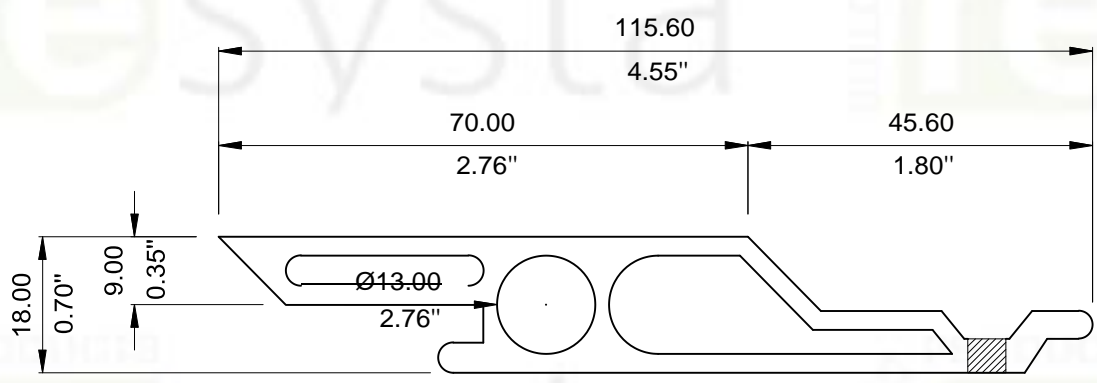


1 ISOMETRIC VIEW
S-4 SCALE 1:2



3 PLAN
S-4 SCALE 1:2

4 SIDE ELEV.
S-4 SCALE 1:2



2 FRONT ELEVATION
S-4 SCALE 1:1



NOTE
THIS DRAWING AS AN INSTRUMENT OF SERVICE, IS THE PROPERTY OF RESYSTA AND AS SUCH MUST NOT BE REPRODUCED OR COPIED IN PART OR IN WHOLE WITHOUT THE PERMISSION OF THE AUTHOR.

TITLE
RHOMBUS SIDING PROFILE RESRPH340312

SPECIFICATION
TECHNICAL DRAWING SPECIFICATION
CAD BY: M.T.C.
CHECKED BY: C.R.E.

SHEET CONTENT
ISOMETRIC VIEW
FRONT ELEVATION
PLAN
SIDE ELEVATION

SHEET SIZE	DRAWING NO.	CONTINENT
A3	S-4	RESYSTA ASIA
DATE: 12.12.22	REVISION: 0	