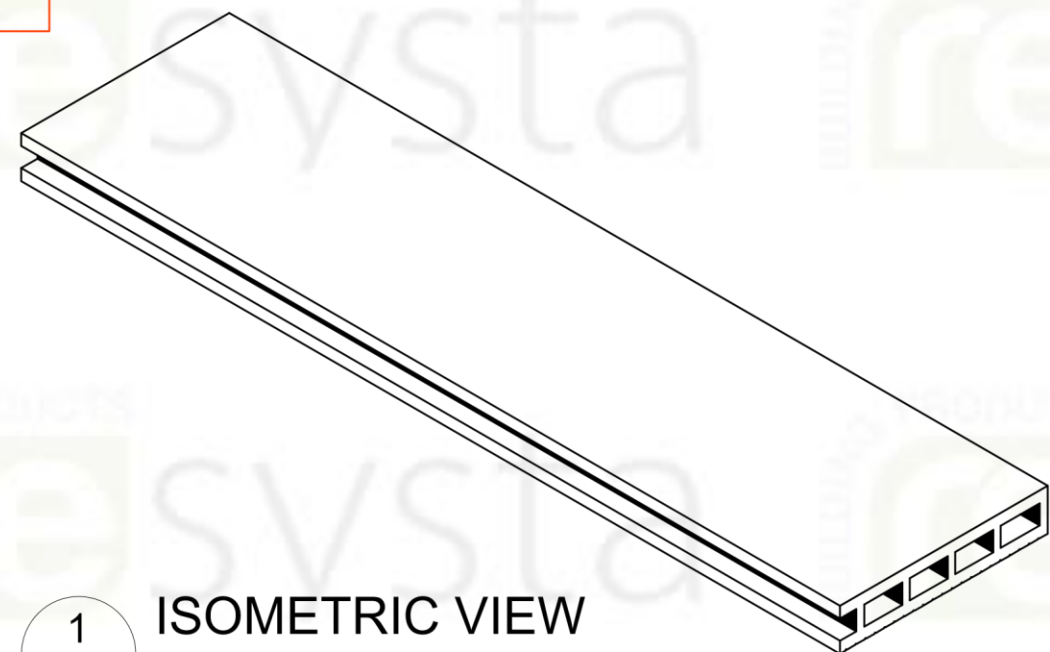


DIMENSION LEGEND

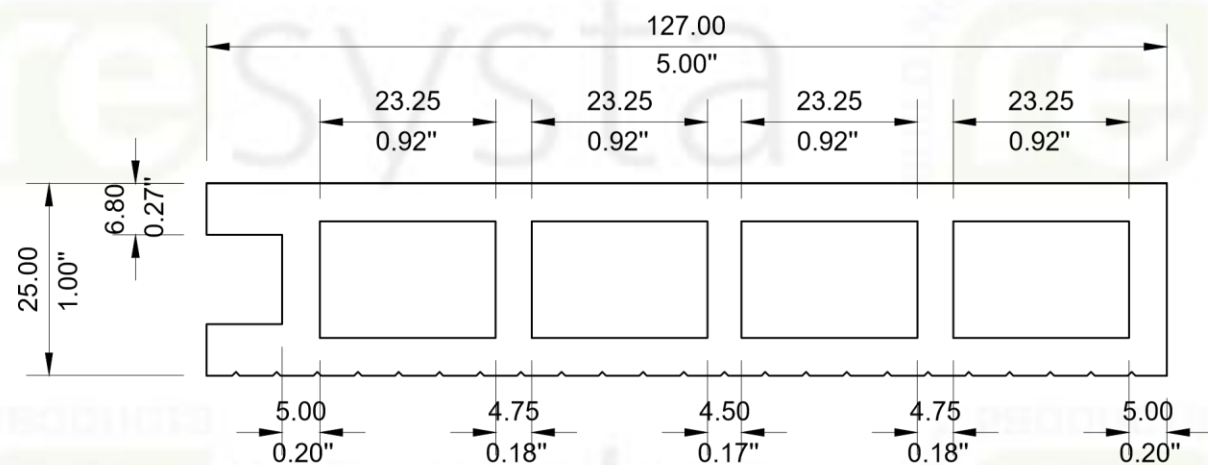
Millimeter
Inches (") / Foot (')



1
D-11

ISOMETRIC VIEW

SCALE 1:4



2
D-11

FRONT ELEVATION

SCALE 1:1



3
D-11

PLAN

SCALE 1:2

4
D-11

ELEV.

SCALE 1:2



NOTE

THIS DRAWING AS AN INSTRUMENT OF SERVICE, IS THE PROPERTY OF RESYSTA AND AS SUCH MUST NOT BE REPRODUCED OR COPIED IN PART OR IN WHOLE WITHOUT THE PERMISSION OF THE AUTHOR.

TITLE
STARTER BOARD PLATINUM
RESSB010612 PLATINUM

SPECIFICATION	
TECHNICAL DRAWING SPECIFICATION	
CAD BY:	CHECKED BY:
M.T.C.	C.R.E.

SHEET CONTENT	
ISOMETRIC VIEW	
FRONT ELEVATION	
PLAN	
SIDE ELEVATION	

SHEET SIZE		DRAWING NO.		CONTINENT	
A3		D-11		RESYSTA USA	
DATE	REVISION				
12.12.22	0				