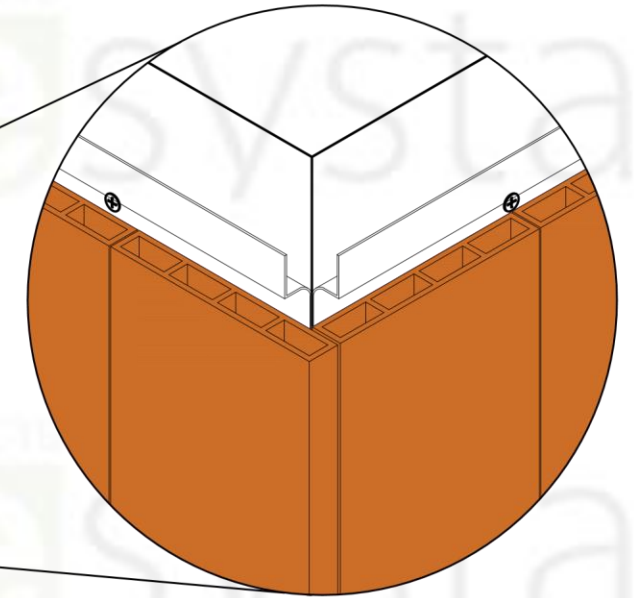
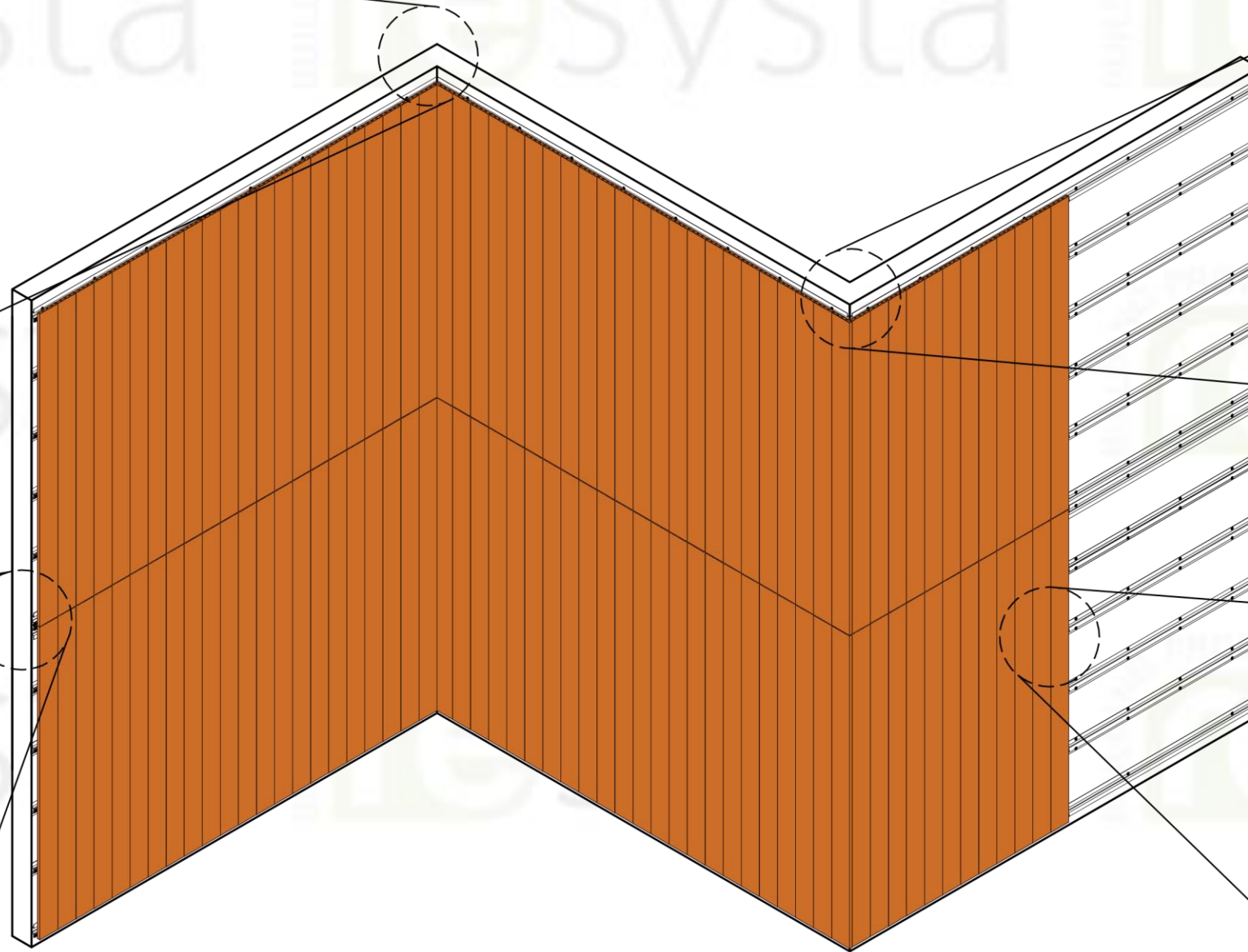


INSIDE CORNER  
(SEE SUB-DETAIL BJVCD-1.2)



OUTSIDE CORNER  
(SEE SUB-DETAIL BJVCD-1.3)

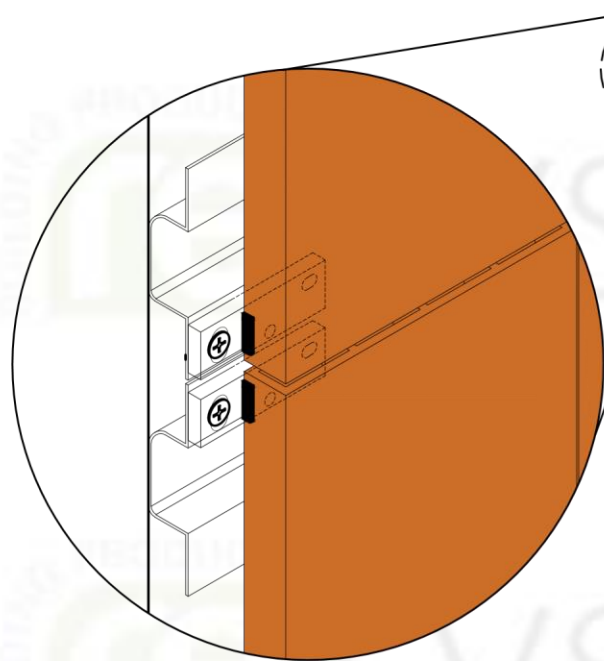


# ISOMETRIC VIEW

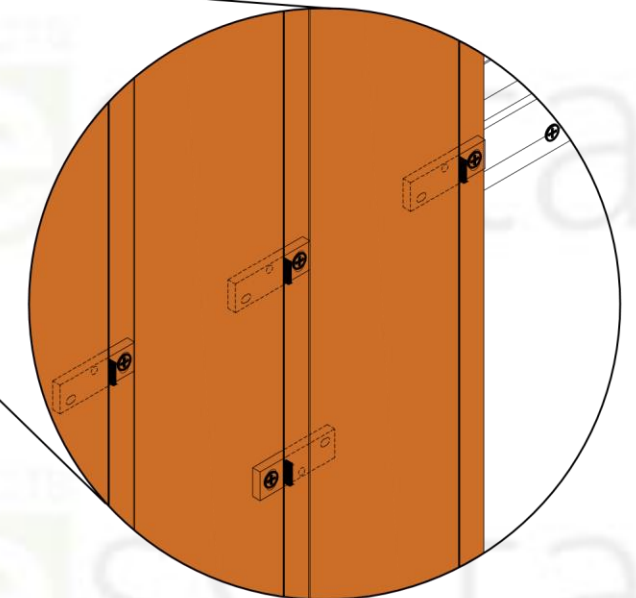
BUTT JOINT VERTICAL CLADDING DETAIL (BJVCD)

1  
BJVCD-1

N.T.S



MULTI BOARD W/O ALUMINUM TRIM  
(SEE SUB-DETAIL BJVCD-1.1)



FACADE CLIP  
(SEE SUB-DETAIL BJVCD-1.4)



**NOTE**  
THIS DRAWING AS AN INSTRUMENT OF SERVICE, IS THE PROPERTY OF RESYSTA AND AS SUCH MUST NOT BE REPRODUCED OR COPIED IN PART OR IN WHOLE WITHOUT THE PERMISSION OF THE AUTHOR.

TITLE  
BUTT JOINT VERTICAL CLADDING  
DETAIL

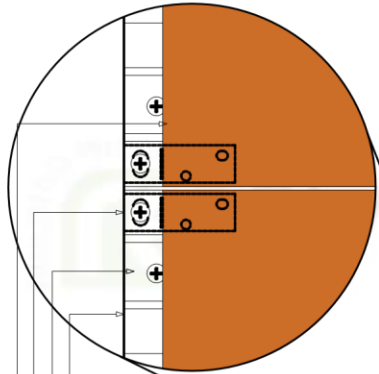
SPECIFICATION  
TYPICAL DRAWING  
DETAIL  
CAD BY: M.T.C. CHECKED BY: C.RE

SHEET CONTENT  
ISOMETRIC VIEW  
BLOW-UP DETAIL

SHEET SIZE: A3  
DRAWING NO: BJVCD-01  
DATE: 31.07.24  
REVISION: 1

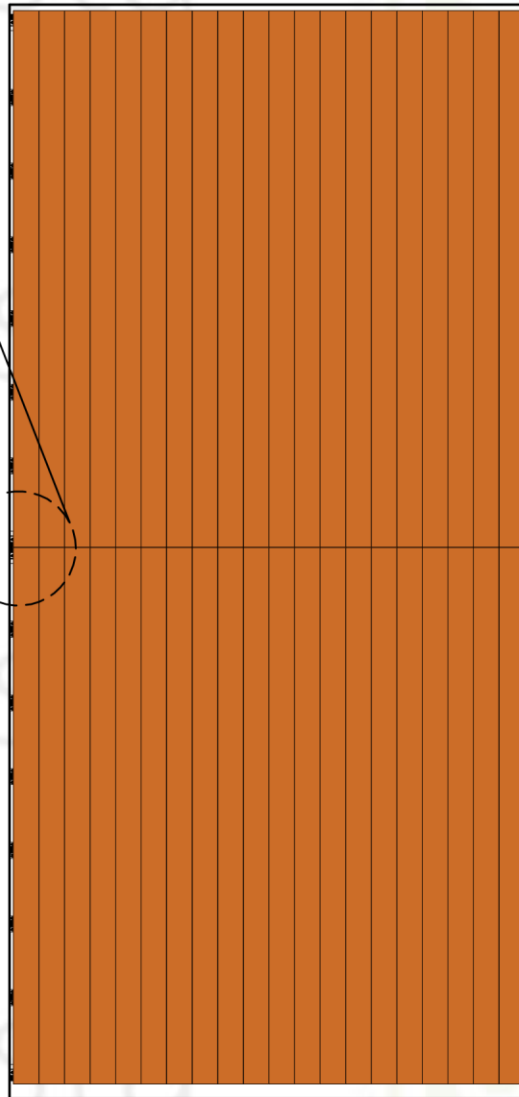
CONTINENT  
RESYSTA  
USA

**DIMENSION LEGEND**  
 Millimeter (mm)  
 Inches (") / Foot (')

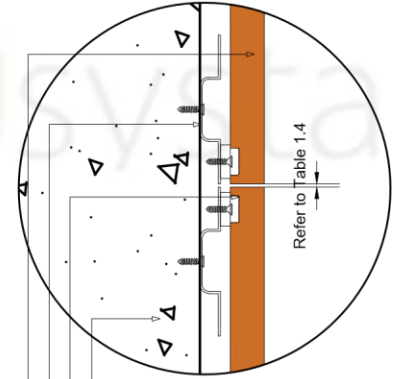


**BLOW-UP ELEVATION**

- Existing Wall
- Reverse RESFHTC10BA Facade Hat Channel
- RESCLIPHF100A Facade Clip
- RESP340612 Cladding (4CH)

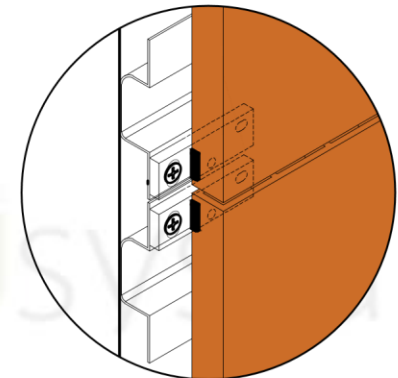


**FRONT ELEVATION**



**SECTION**

- Existing Wall
- RESCLIPHF100A Facade Clip
- Reverse RESFHTC10BA Facade Hat Channel
- RESP340612 Cladding (4CH)



**ISOMETRIC VIEW**

**SUB-DETAIL**  
 BJVCD 1.1

N.T.S

Table 14 "Resysta Expansion"

Resysta Wall Cladding Board Gap Guide					
Temperature at Installation	Gap of Wall Cladding Board				Multi Board Gap
	Below 30°F	60°F	90°F	120°F	
Amount for Wall cladding Profile - Length of 12 ft.	7/16"	5/16"	3/16"	0"	1/4"

**Note :**

*This is an option for installation using 3 or more boards abutted end-to-end. When connecting wall cladding boards at the ends, please consider Resysta Expansion.*



**NOTE**

THIS DRAWING AS AN INSTRUMENT OF SERVICE, IS THE PROPERTY OF RESYSTA AND AS SUCH MUST NOT BE REPRODUCED OR COPIED IN PART OR IN WHOLE WITHOUT THE PERMISSION OF THE AUTHOR.

TITLE	SHEET CONTENT	CONTINENT
BUTT JOINT VERTICAL CLADDING SUB-DETAIL	ELEVATION	RESYSTA USA
	BLOW-UP DETAIL	
	SECTION	
SPECIFICATION	DRAWING NO.	DATE
TYPICAL DRAWING DETAIL	BJVCD-02	31.07.24
	CAD BY:	CHECKED BY:
	M.T.C.	C.R.E.

**DIMENSION LEGEND**

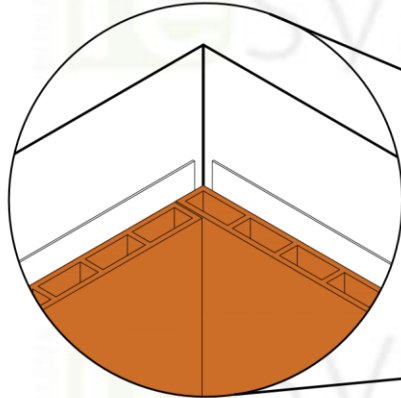
Millimeter (mm)  
Inches (") / Foot (')

Reverse RESFHTC10BA Facade Hat Channel

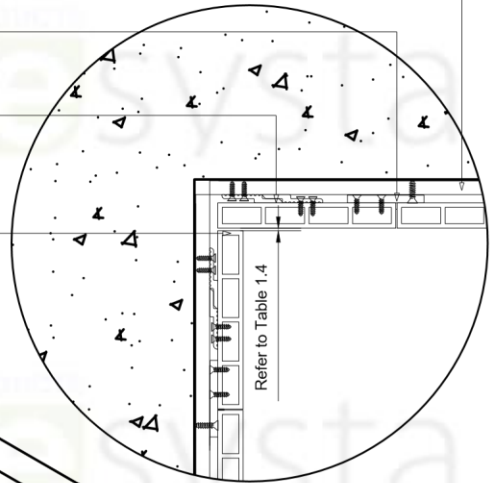
RESCLIPHF100A Facade Clip

MONARCH MFTH-625  
Aluminum Z Clip

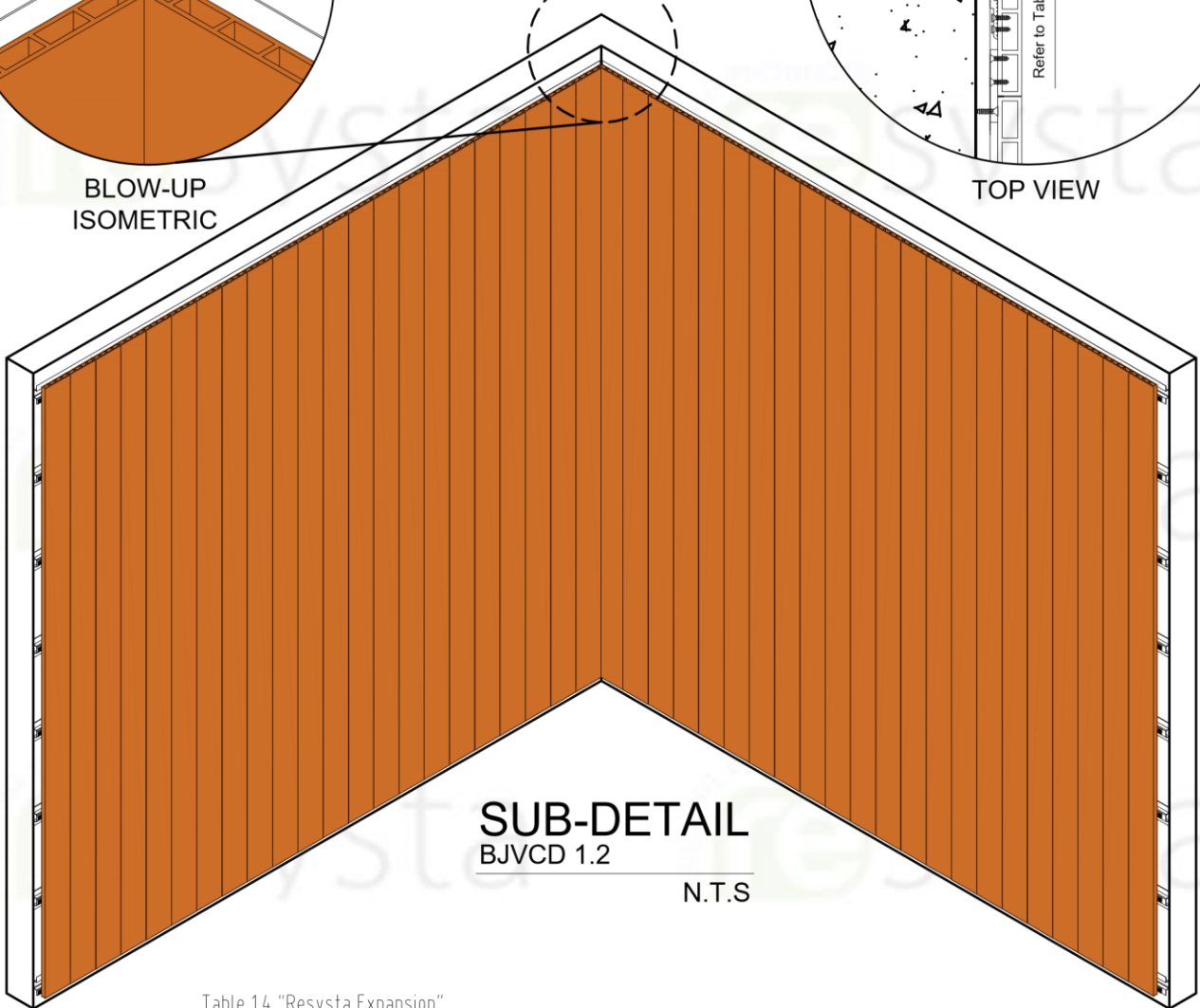
RESP340612  
Cladding (4CH)



**BLOW-UP  
ISOMETRIC**



**TOP VIEW**



**SUB-DETAIL**  
BJVCD 1.2

N.T.S

**ISOMETRIC  
VIEW**

Table 14 "Resysta Expansion"

Resysta Wall Cladding Board Gap Guide					
Temperature at Installation	Gap of Wall Cladding Board				Multi Board Gap
	Below 30°F	60°F	90°F	120°F	
Amount for Wall cladding Profile - Length of 12 ft.	7/16"	5/16"	3/16"	0"	1/4"

**Note :**

*When connecting wall cladding boards at the ends, please consider Resysta Expansion.*

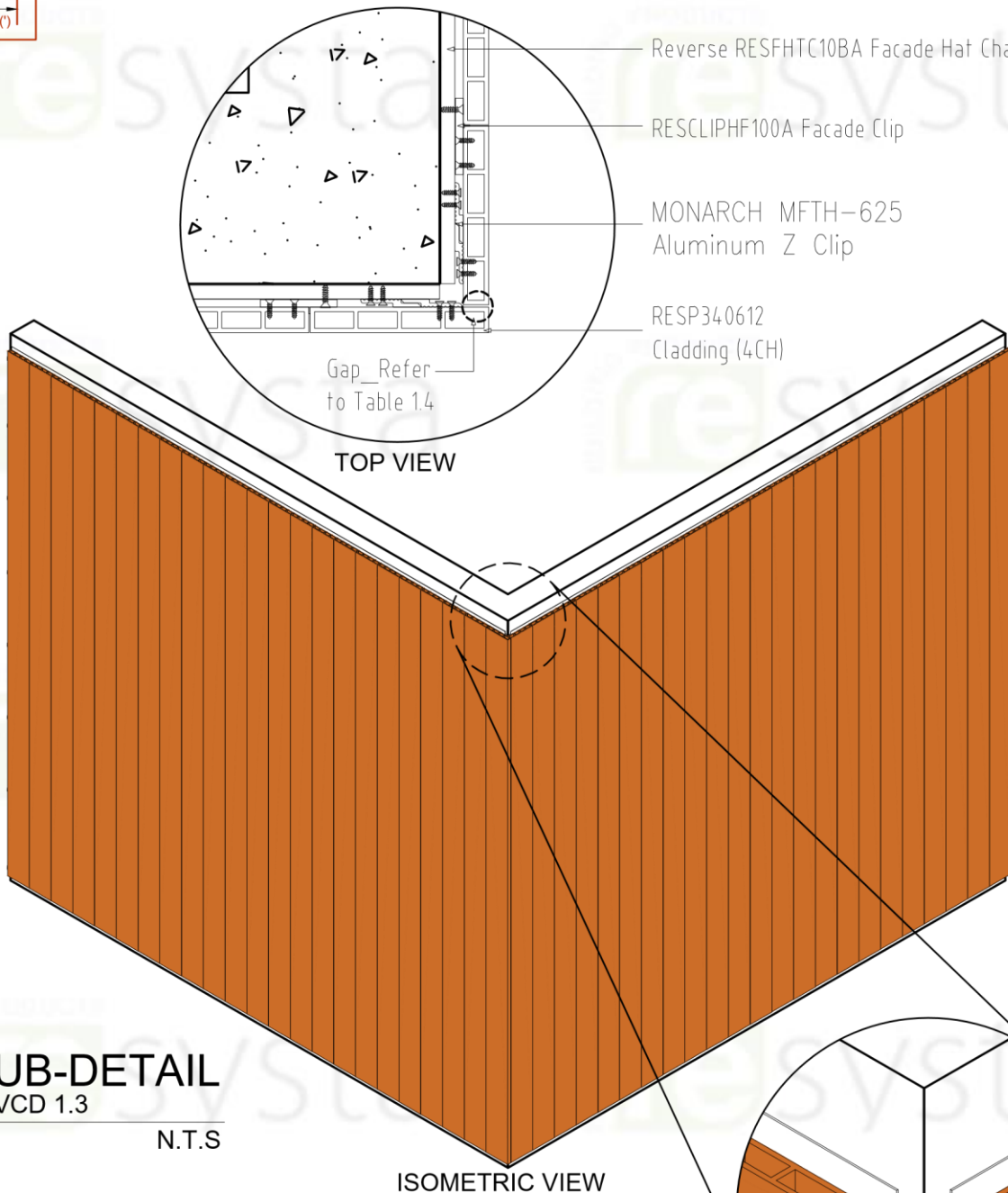


**NOTE**

THIS DRAWING AS AN INSTRUMENT OF SERVICE, IS THE PROPERTY OF RESYSTA AND AS SUCH MUST NOT BE REPRODUCED OR COPIED IN PART OR IN WHOLE WITHOUT THE PERMISSION OF THE AUTHOR.

TITLE	SHEET CONTENT	CONTINENT
BUTT JOINT VERTICAL CLADDING SUB-DETAIL	ISOMETRIC VIEW	RESYSTA USA
	BLOW-UP DETAIL	
	TOP VIEW	
SPECIFICATION	DRAWING NO.	DATE
TYPICAL DRAWING DETAIL	BJVCD-03	31.07.24
	CAD BY:	CHECKED BY:
	M.T.C.	C.R.E.

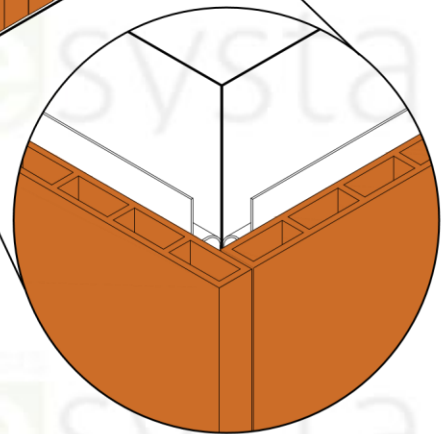
**DIMENSION LEGEND**  
 Millimeter (mm)  
 Inches (") / Foot (')



**SUB-DETAIL**  
 BJVCD 1.3

N.T.S

ISOMETRIC VIEW



BLOW-UP ISOMETRIC

Table 1.4 "Resysta Expansion"

Resysta Wall Cladding Board Gap Guide					
Temperature at Installation	Gap of Wall Cladding Board				Multi Board Gap
	Below 30°F	60°F	90°F	120°F	
Amount for Wall cladding Profile - Length of 12 ft.	7/16"	5/16"	3/16"	0"	1/4"

**Note :**

When connecting wall cladding boards at the ends, please consider Resysta Expansion.

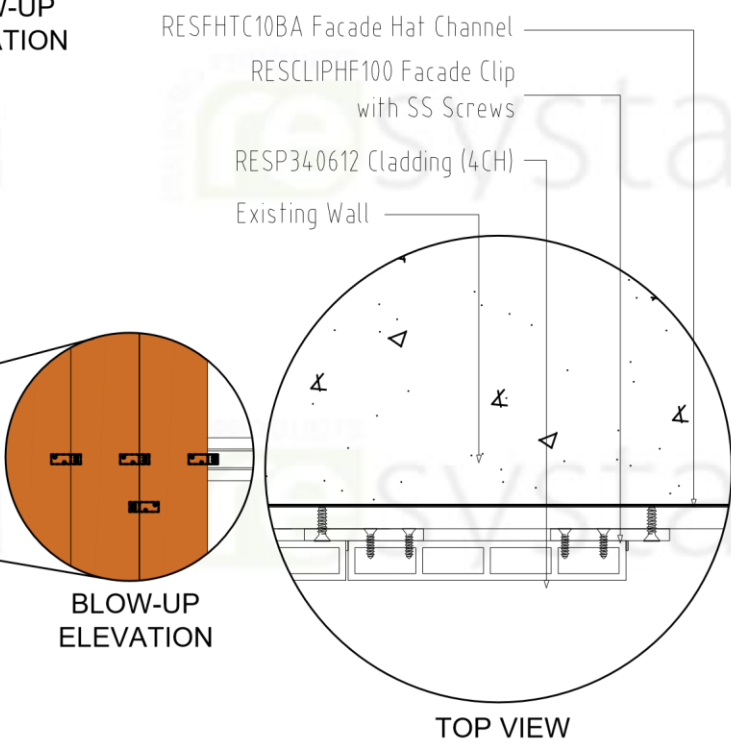
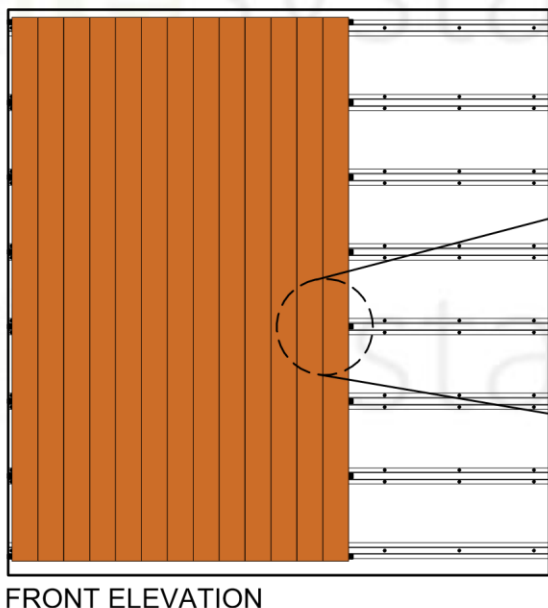
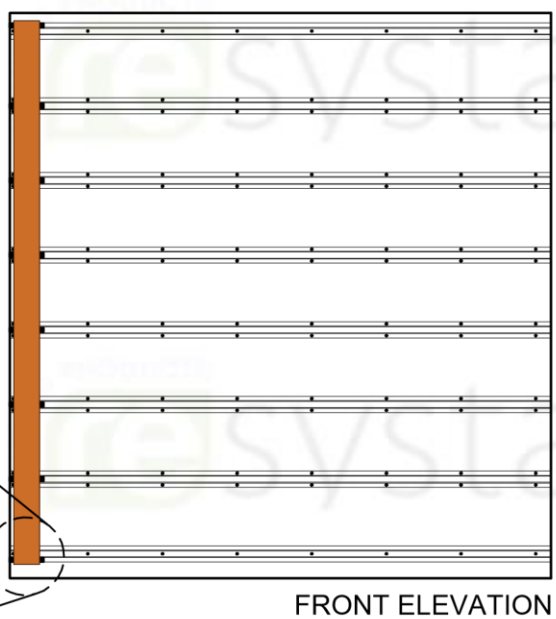
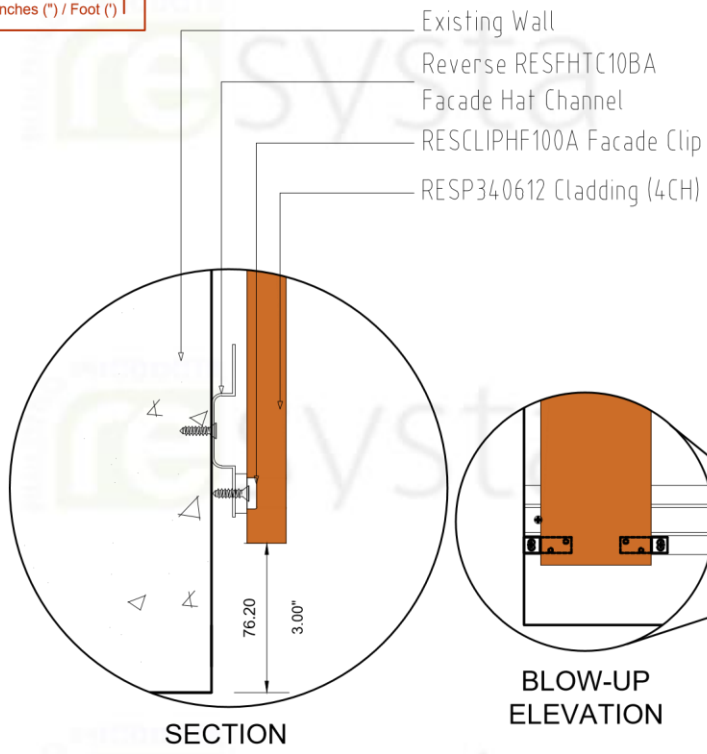


**NOTE**

THIS DRAWING AS AN INSTRUMENT OF SERVICE, IS THE PROPERTY OF RESYSTA AND AS SUCH MUST NOT BE REPRODUCED OR COPIED IN PART OR IN WHOLE WITHOUT THE PERMISSION OF THE AUTHOR.

TITLE	SHEET CONTENT	CONTINENT
BUTT JOINT VERTICAL CLADDING SUB-DETAIL	ISOMETRIC VIEW	RESYSTA USA
	BLOW-UP DETAIL	
	TOP VIEW	
SPECIFICATION	DRAWING NO.	DATE
TYPICAL DRAWING DETAIL	BJVCD-04	31.07.24
	CAD BY:	CHECKED BY:
	M.T.C.	C.R.E.

**DIMENSION LEGEND**  
 Millimeter (mm)  
 Inches (") / Foot (')



**Note:**

Each HF Clip requires 3 screws. Two are #8 x 1/2" SMS screws to attach the Clip to the Resysta Wall Cladding board and one is to attach the wall cladding board with the clip to the battens.

**SUB-DETAIL**  
 BJVCD 1.4  
 N.T.S



<p><b>NOTE</b></p> <p>THIS DRAWING AS AN INSTRUMENT OF SERVICE, IS THE PROPERTY OF RESYSTA AND AS SUCH MUST NOT BE REPRODUCED OR COPIED IN PART OR IN WHOLE WITHOUT THE PERMISSION OF THE AUTHOR.</p>	<p>TITLE</p> <p>BUTT JOINT          VERTICAL CLADDING          SUB-DETAIL</p>	<p>SHEET CONTENT</p> <p>ISOMETRIC VIEW          BLOW-UP DETAIL          TOP VIEW          SECTION</p>	<p>CONTINENT</p> <p>RESYSTA          USA</p>
	<p>SPECIFICATION</p> <p>TYPICAL DRAWING DETAIL</p>	<p>DRAWING NO.</p> <p>BJVCD-05</p>	<p>DATE</p> <p>31.07.24</p>
		<p>CAD BY:</p> <p>M.T.C.</p>	<p>CHECKED BY:</p> <p>C.R.E.</p>