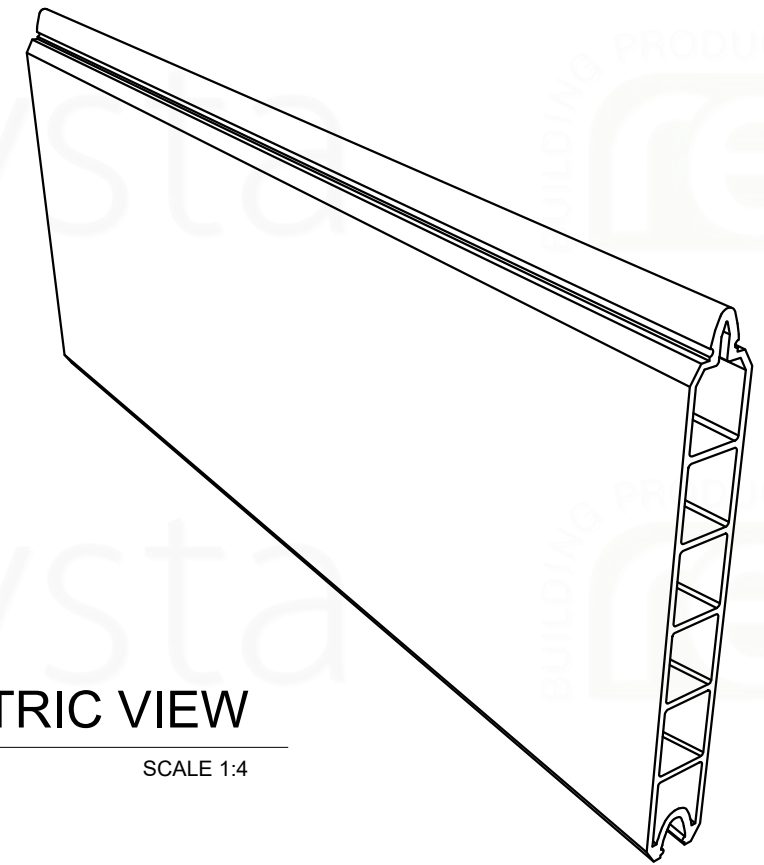
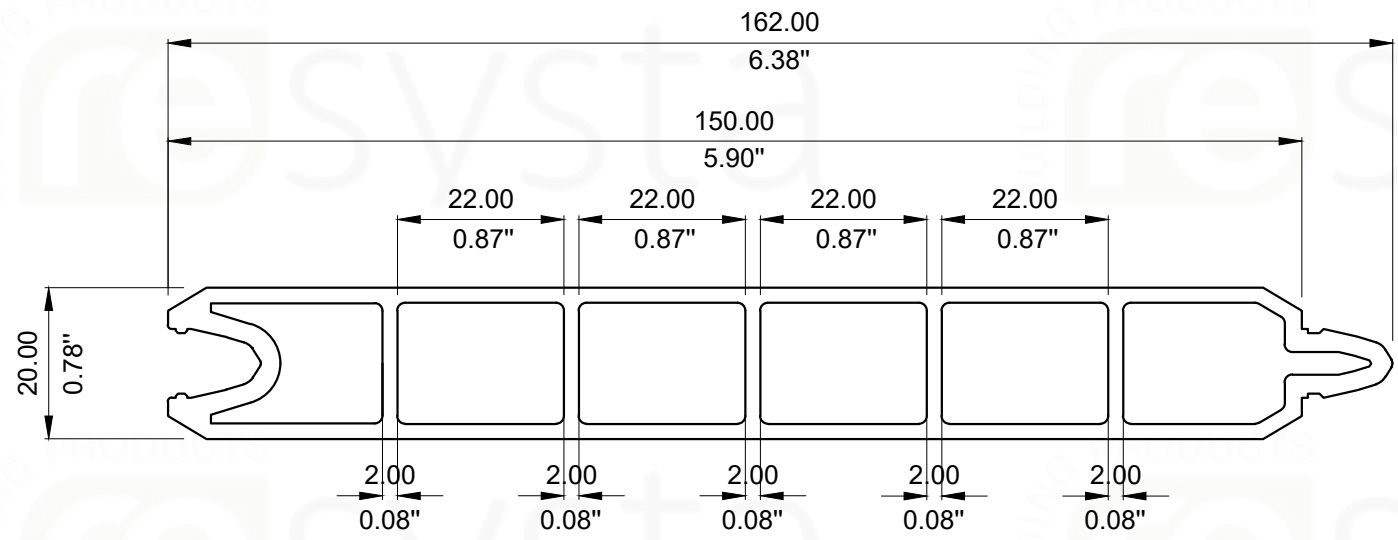


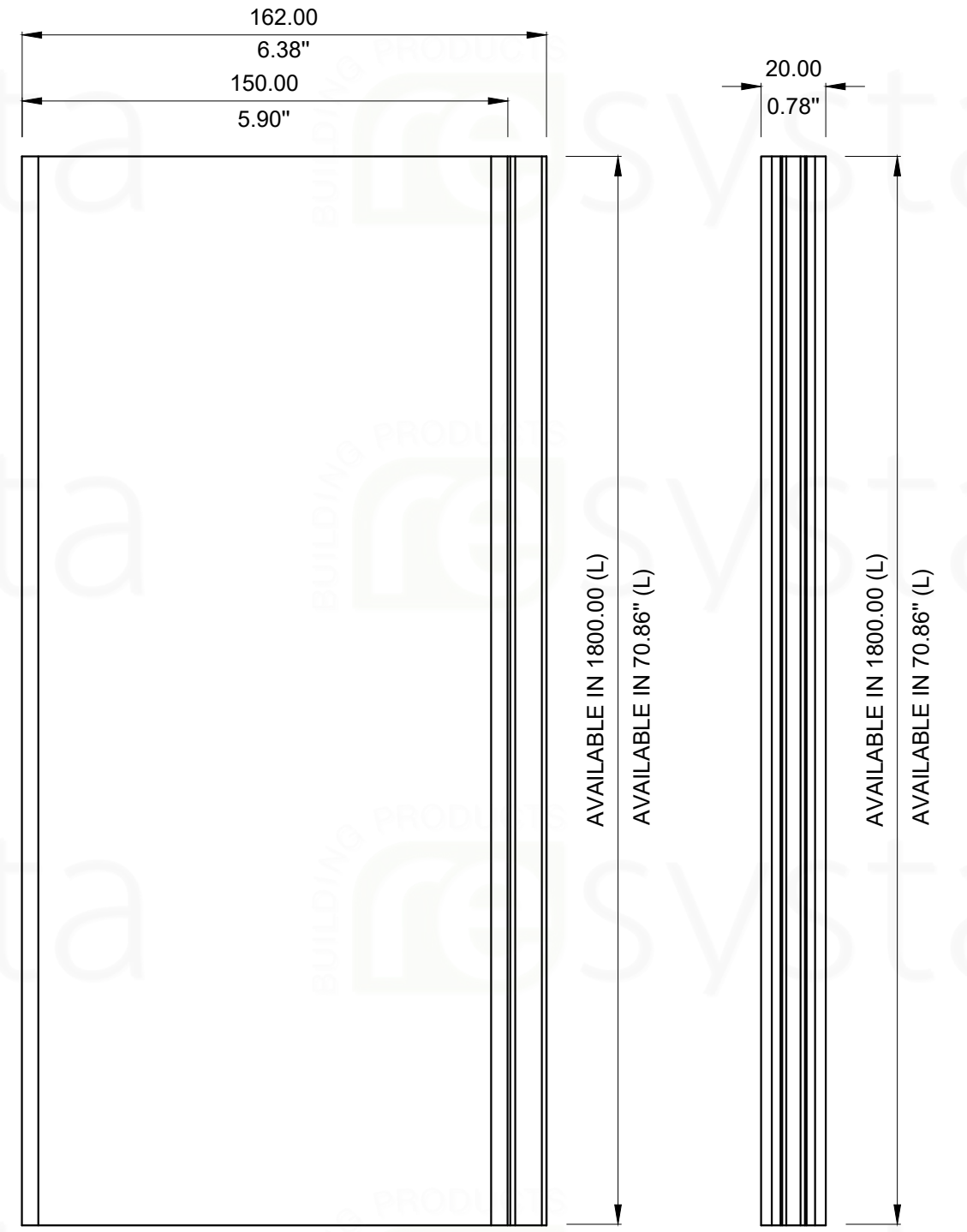
DIMENSION LEGEND
 Millimeter (mm)
 Inches(") / Foot(')



1 ISOMETRIC VIEW
 F-1 SCALE 1:4



2 FRONT ELEVATION
 F-1 SCALE 1:1



3 PLAN
 F-1 SCALE 1:2

4 SIDE ELEV.
 F-1 SCALE 1:2



NOTE
 THIS DRAWING AS AN INSTRUMENT OF SERVICE, IS THE PROPERTY OF RESYSTA AND AS SUCH MUST NOT BE REPRODUCED OR COPIED IN PART OR IN WHOLE WITHOUT THE PERMISSION OF THE AUTHOR.

TITLE	FENCE SYSTEM FENCE PROFILE RESFPO10608	
-------	--	--

SPECIFICATION	TECHNICAL DRAWING SPECIFICATION	
CAD BY:	CHECKED BY:	
C.R.E		

SHEET CONTENT	ISOMETRIC VIEW	
	FRONT ELEVATION	
	PLAN	
	SIDE ELEVATION	

SHEET SIZE	A3	DRAWING NO.	F-1
DATE	30.10.25	REVISION	0

CONTINENT
RESYSTA USA