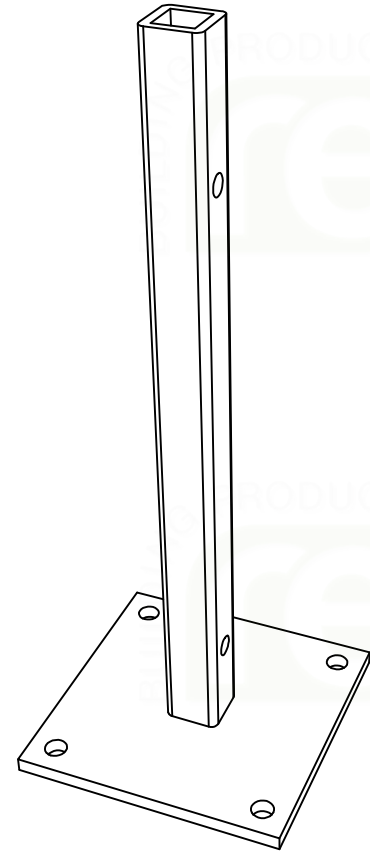
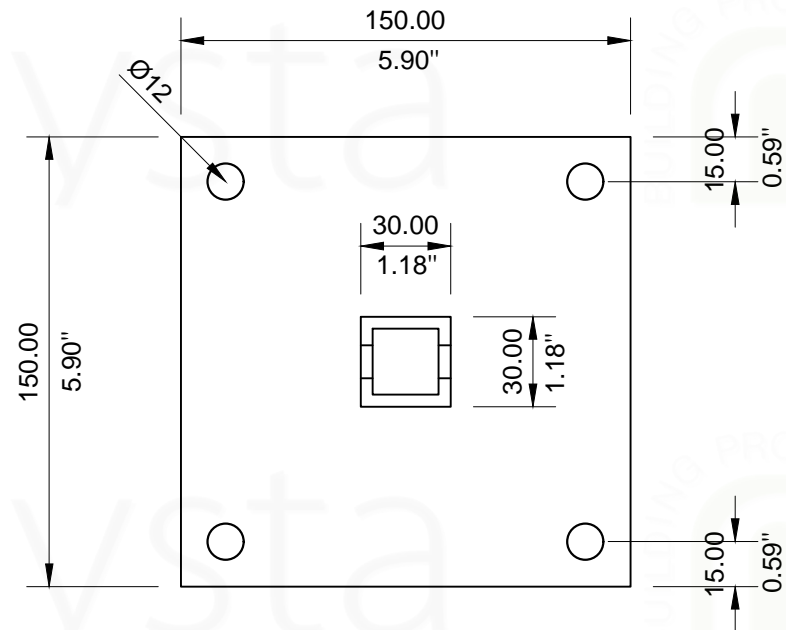


DIMENSION LEGEND

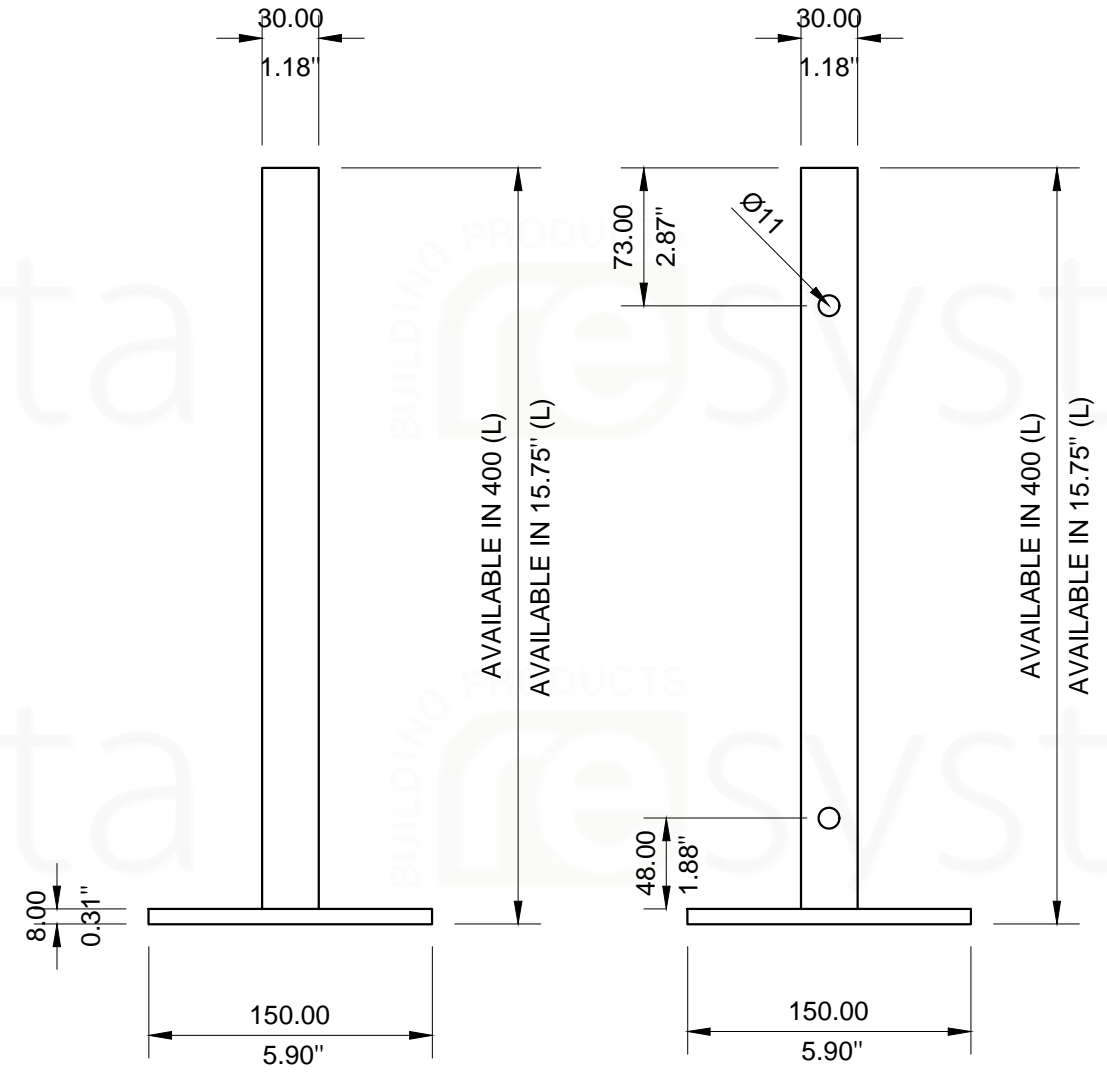
Millimeter (mm)
Inches(") / Foot(')



1 ISOMETRIC VIEW
F-3 SCALE 1:2



2 FRONT ELEVATION
F-3 NTS



3 PLAN
F-3 SCALE 1:2

4 SIDE ELEV.
F-3 SCALE 1:2



NOTE

THIS DRAWING AS AN INSTRUMENT OF SERVICE, IS THE PROPERTY OF RESYSTA AND AS SUCH MUST NOT BE REPRODUCED OR COPIED IN PART OR IN WHOLE WITHOUT THE PERMISSION OF THE AUTHOR.

FENCE SYSTEM
FENCE POST BASE
RESFPB11416

| SPECIFICATION | | SHEET CONTENT | | SHEET SIZE | DRAWING NO. | CONTINENT | | |
|------------------------------------|--|-----------------|-------------|----------------|-------------|----------------|----------|----------|
| TECHNICAL DRAWING SPECIFICATION | | ISOMETRIC VIEW | | A3 | F-3 | RESYSTA USA | | |
| | | FRONT ELEVATION | | | | | | |
| | | CAD BY: | CHECKED BY: | PLAN | | | DATE | REVISION |
| | | C.R.E. | | SIDE ELEVATION | | | 28.10.25 | 0 |