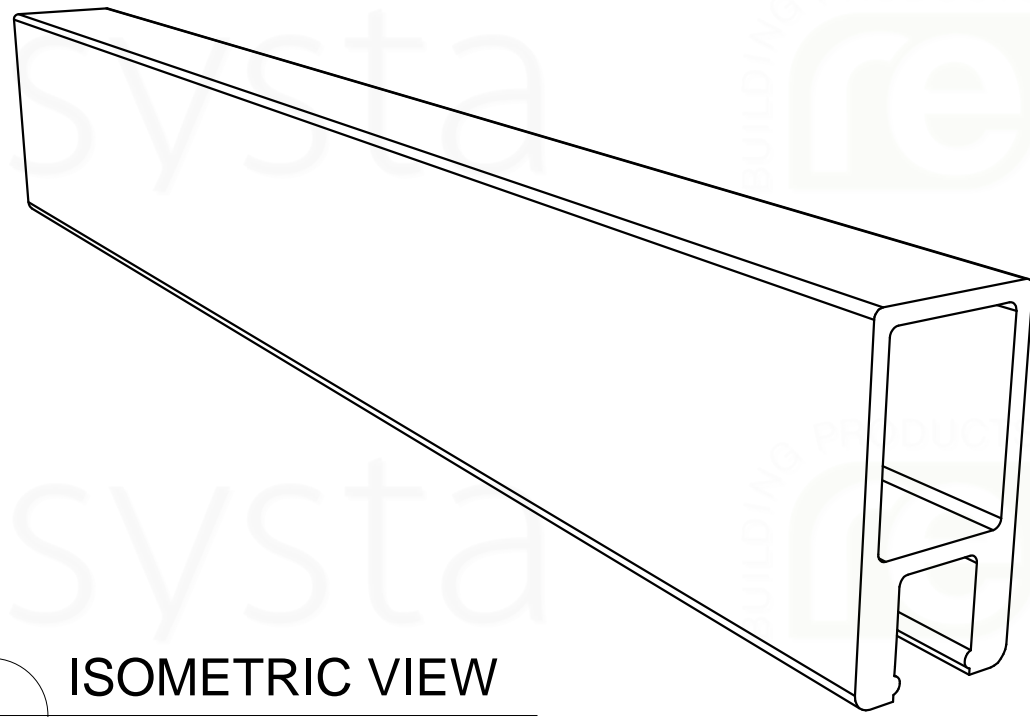
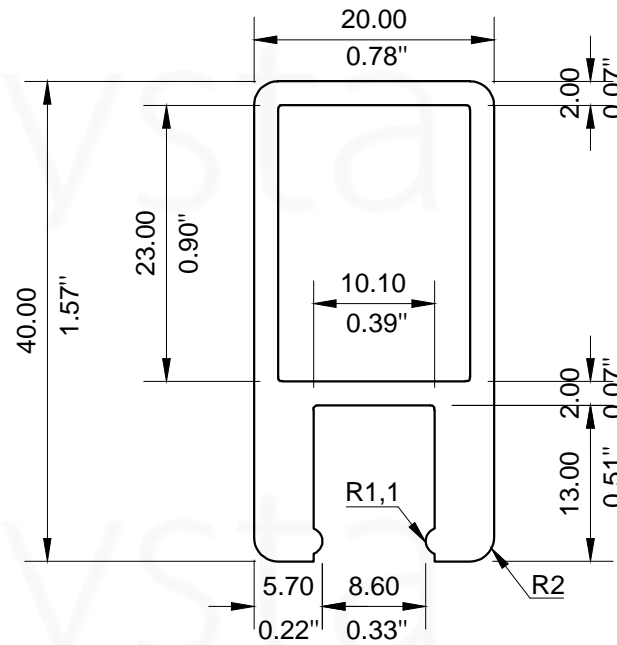


DIMENSION LEGEND

Millimeter (mm)
Inches(") / Foot(')



1 ISOMETRIC VIEW
F-6 SCALE 1:2



2 FRONT ELEVATION
F-6 NTS



3 PLAN
F-6 SCALE 1:2

4 SIDE ELEV.
F-6 SCALE 1:2



NOTE

THIS DRAWING AS AN INSTRUMENT OF SERVICE, IS THE PROPERTY OF RESYSTA AND AS SUCH MUST NOT BE REPRODUCED OR COPIED IN PART OR IN WHOLE WITHOUT THE PERMISSION OF THE AUTHOR.

TITLE	SPECIFICATION	SHEET CONTENT	SHEET SIZE	DRAWING NO.	CONTINENT
FENCE SYSTEM FENCE TOP RAIL RESFT3411208	TECHNICAL DRAWING SPECIFICATION	ISOMETRIC VIEW	A3	F-6	RESYSTA USA
		FRONT ELEVATION			
		PLAN	DATE	REVISION	
		SIDE ELEVATION	28.10.25	0	

CAD BY: C.R.E. CHECKED BY: